



MK 4

Quick Guide

Kurzanleitung

Guide rapide

Guida rapida

Guía de inicio rápido

Guia rápido

Beknopte handleiding

Krótká instrukcja obsługi

Snabbguide

Kort vejledning

Πίκαοηje

Γρήγορος οδηγός

Kisa Kilavuz

Краткая инструкция

快速指南

快速使用指南

クイックガイド

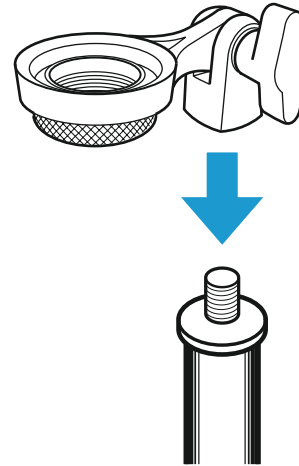
퀵 가이드

In the box

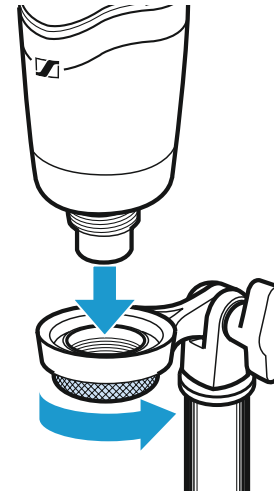


Setup

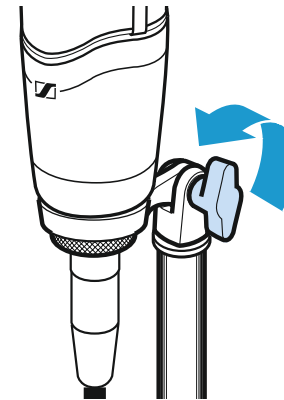
1



2

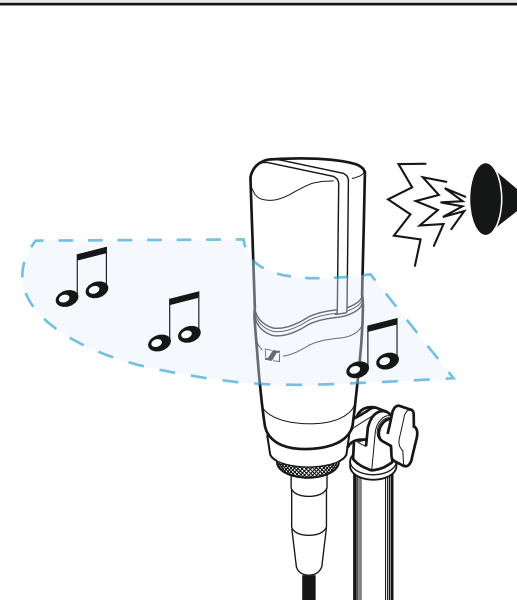
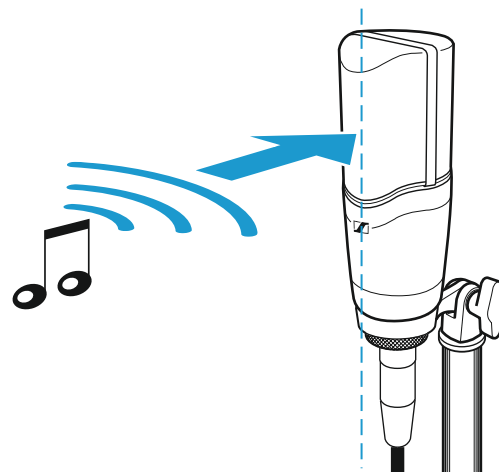


3

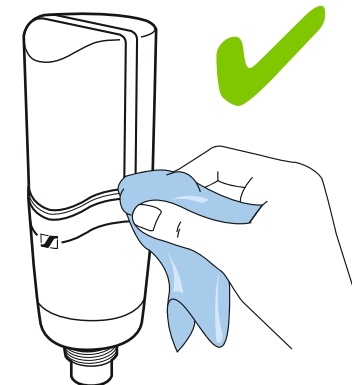
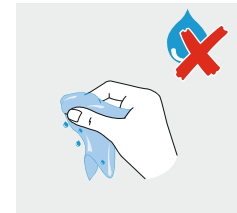


SENNHEISER

Recording



Cleaning

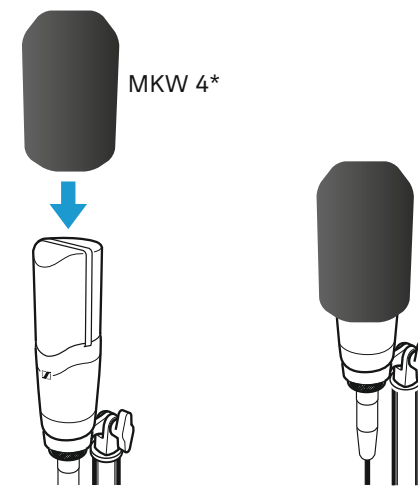
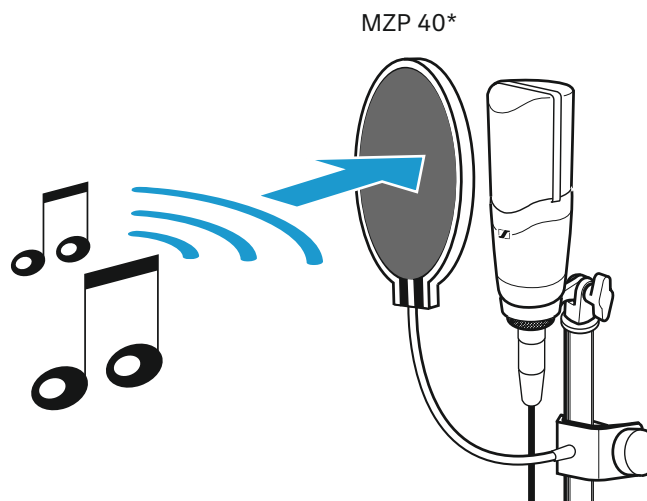
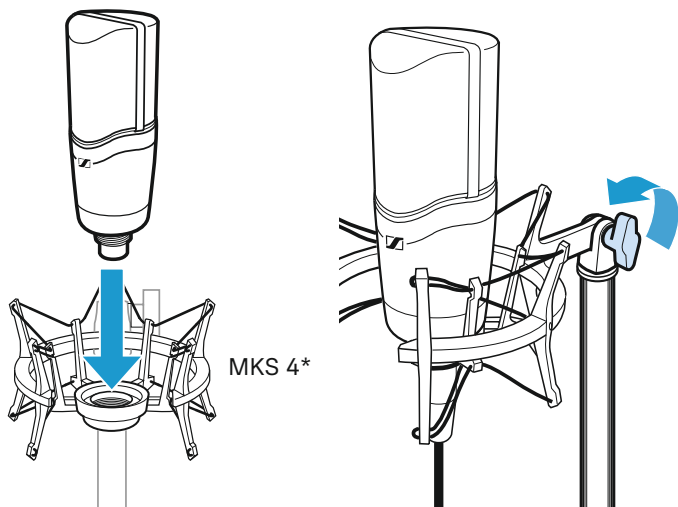


Sennheiser electronic GmbH & Co. KG

Am Labor 1, 30900 Wedemark, Germany
www.sennheiser.com

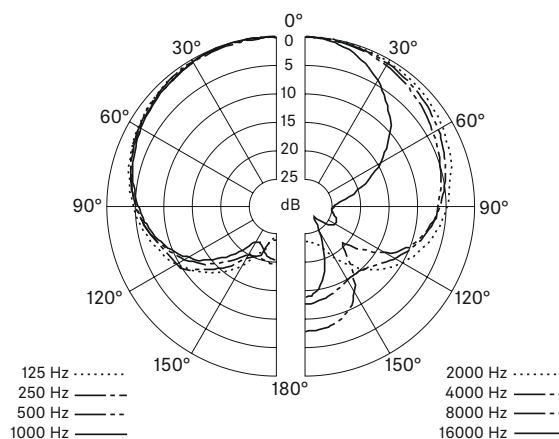
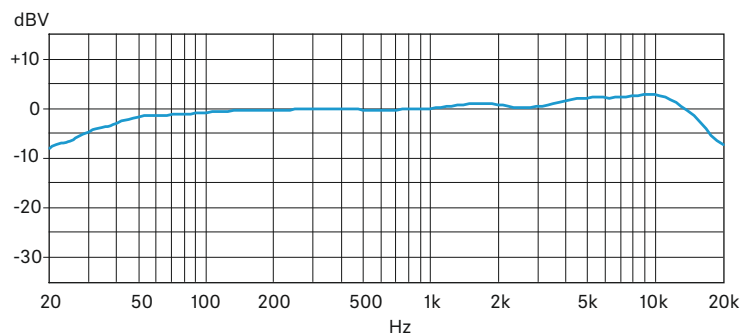
Printed in Germany, Publ. 06/21, 587413/A04

Accessories

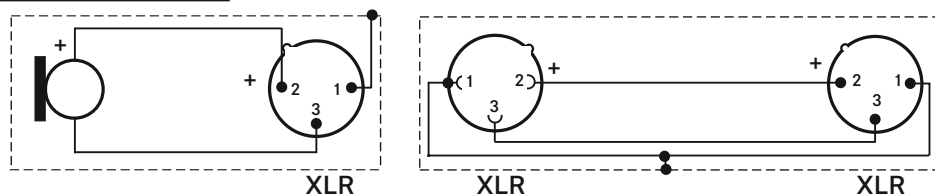


*optional accessories

Polar pattern and frequency response



Connector assignment



Specifications

| | |
|---|---|
| Transducer principle | externally polarized condenser microphone |
| Diameter of diaphragm | 25.4 mm / 1" |
| Acoustic operating principle | pressure gradient transducer |
| Pick-up pattern | cardioid |
| Frequency response | 20 - 20,000 Hz |
| Sensitivity | 25 mV/Pa |
| Max. SPL | 140 dB |
| Equivalent noise level CCIR-weighted | 10 dB(A) 20 dB |
| Dynamic range | 130 dB |
| Nominal impedance | approx. 50 Ω |
| Min. terminating impedance | 1 kΩ |
| Power supply | phantom powering 48 V (P48) |
| Current consumption | 3.1 mA |
| Diameter | approx. 57 mm |
| Length | approx. 160 mm |
| Weight | approx. 485 g |
| Operating temperature | 0 °C to +40 °C |
| Storage temperature | -20 °C to +70 °C |