

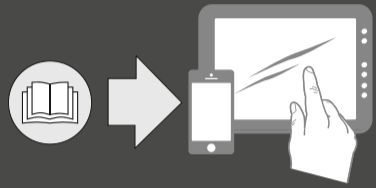


# SpeechLine Digital Wireless SL MCR DW

Quick Guide  
Kurzanleitung  
Guide de démarrage rapide  
Guida rapida  
Instrucciones resumidas  
Instruções resumidas  
Beknopte gebruiksaanwijzing  
Krótka instrukcja obsługi  
Snabbguide

Kort vejledning  
Pikaohje  
Γρήγορος οδηγός  
Kısa Kılavuz  
Краткая инструкция  
快速指南  
快速使用指南  
クイックガイド  
퀵 가이드

**SENNHEISER**



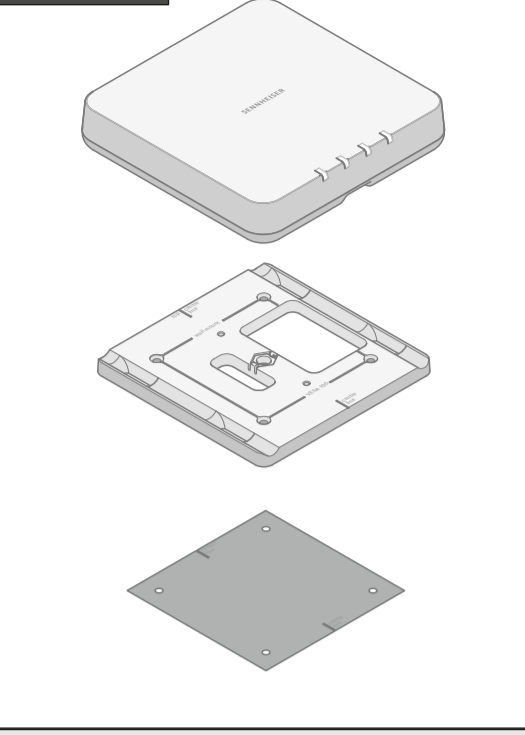
## Sennheiser Documentation App



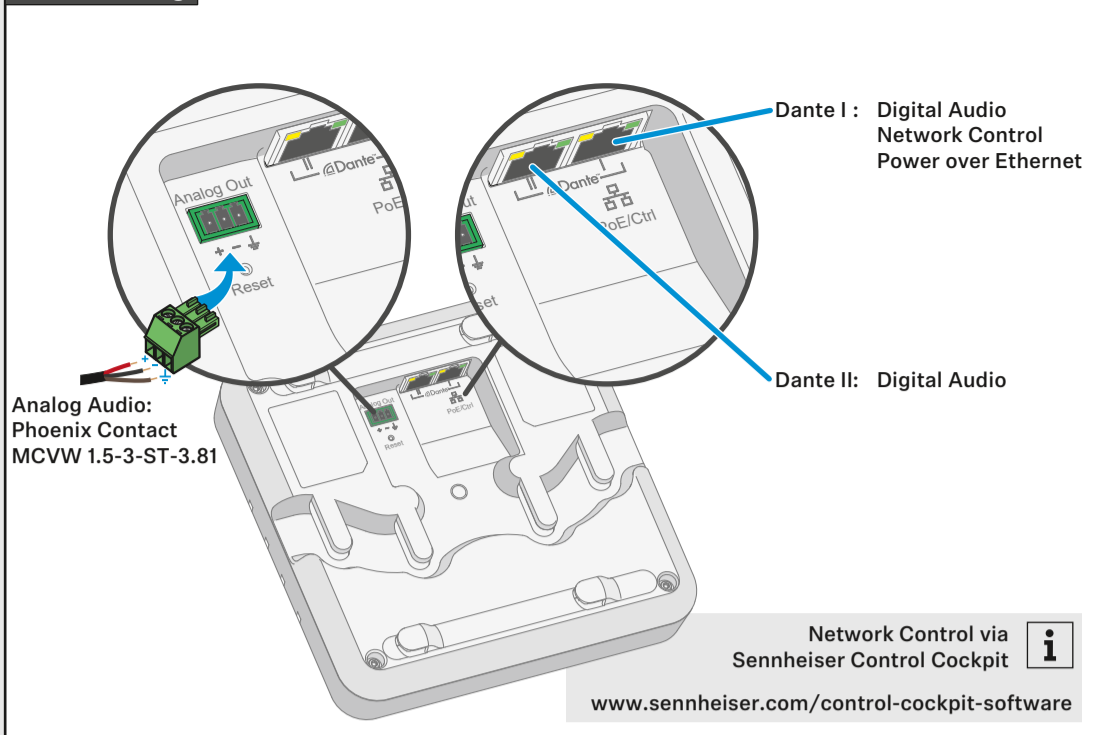
or online at  
[www.sennheiser.com/download](http://www.sennheiser.com/download)  
SpeechLine Digital Wireless

Sennheiser electronic GmbH & Co. KG  
Am Labor 1, 30900 Wedemark, Germany  
[www.sennheiser.com](http://www.sennheiser.com)  
Publ. 01/20, 583940/A01

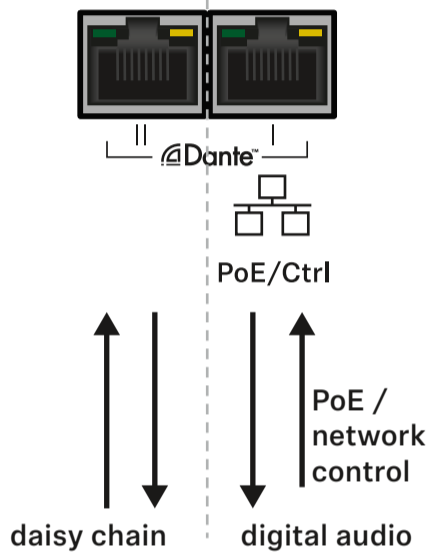
## In the box



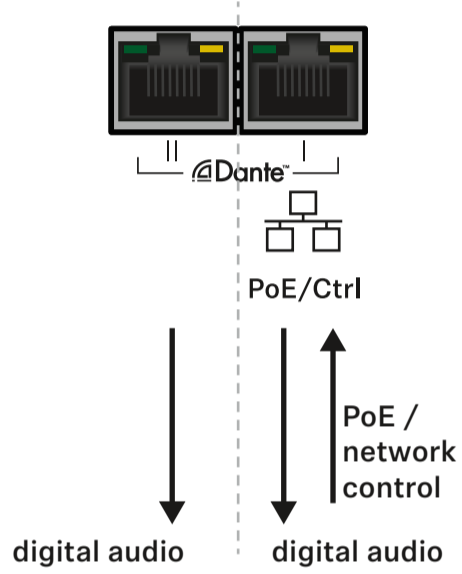
## Connecting



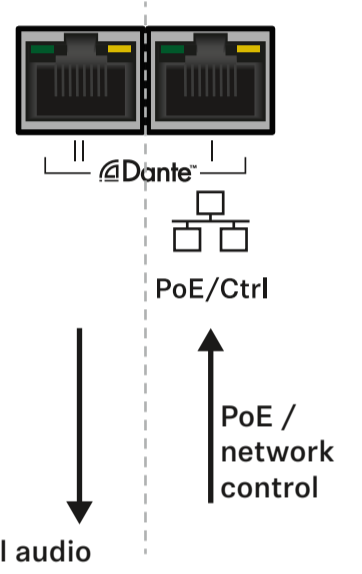
## Single Cable Mode (Factory Default)



## Audio Redundancy Mode

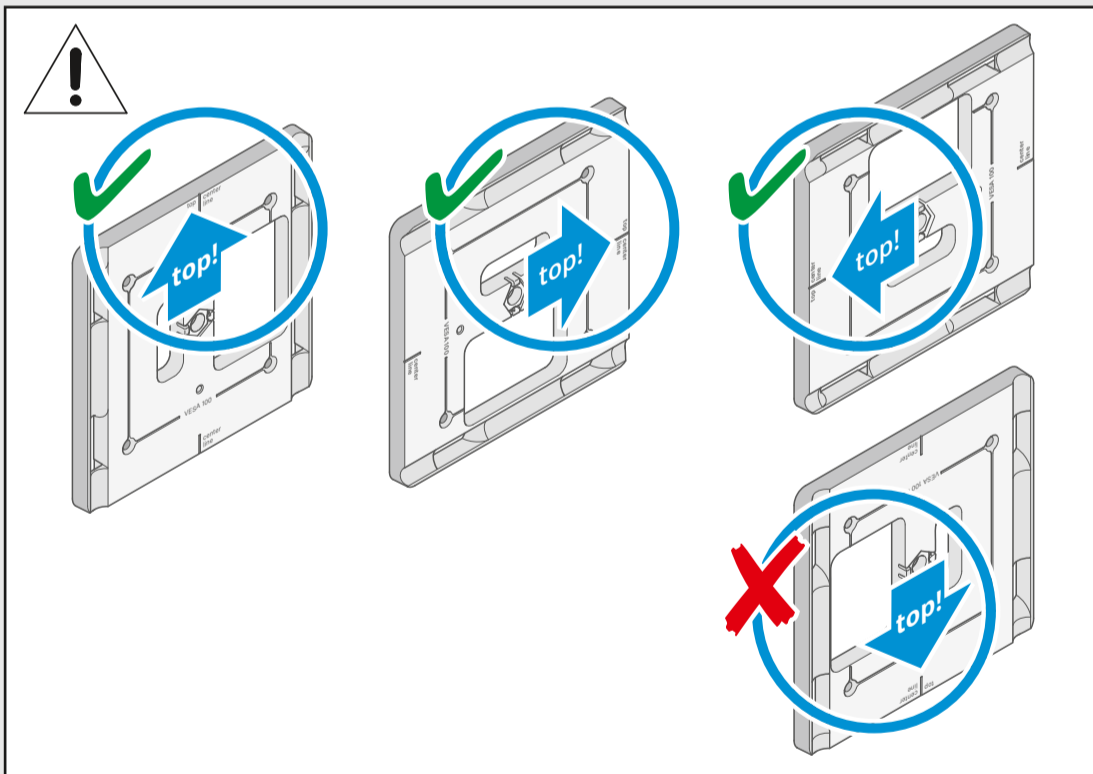
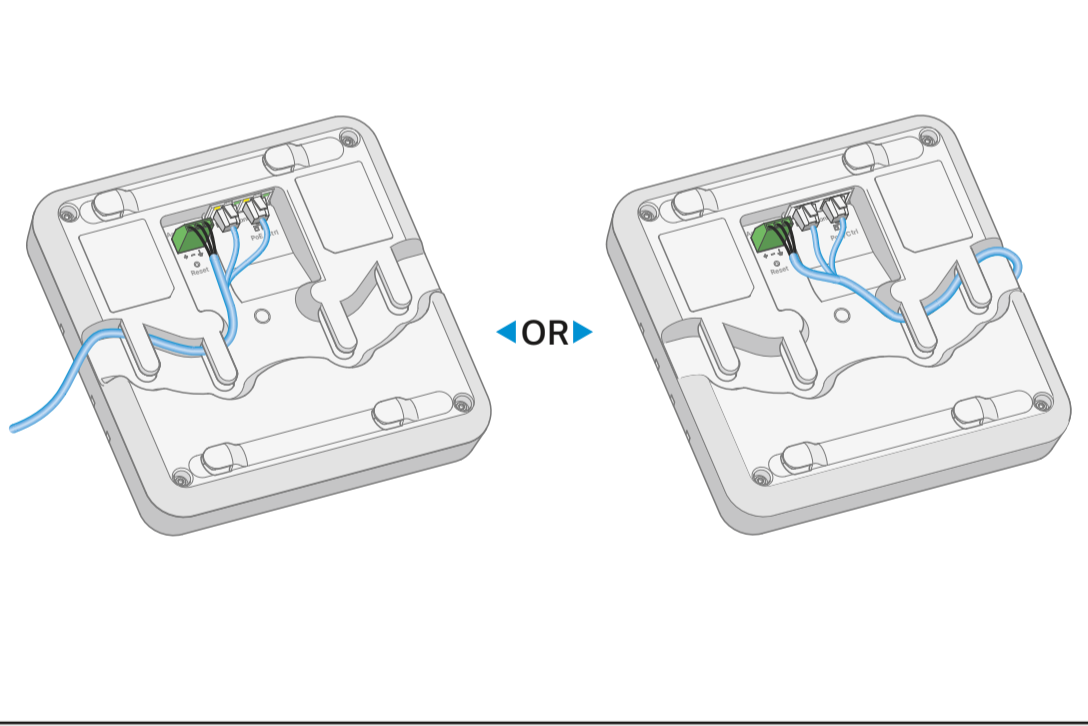


## Split Mode

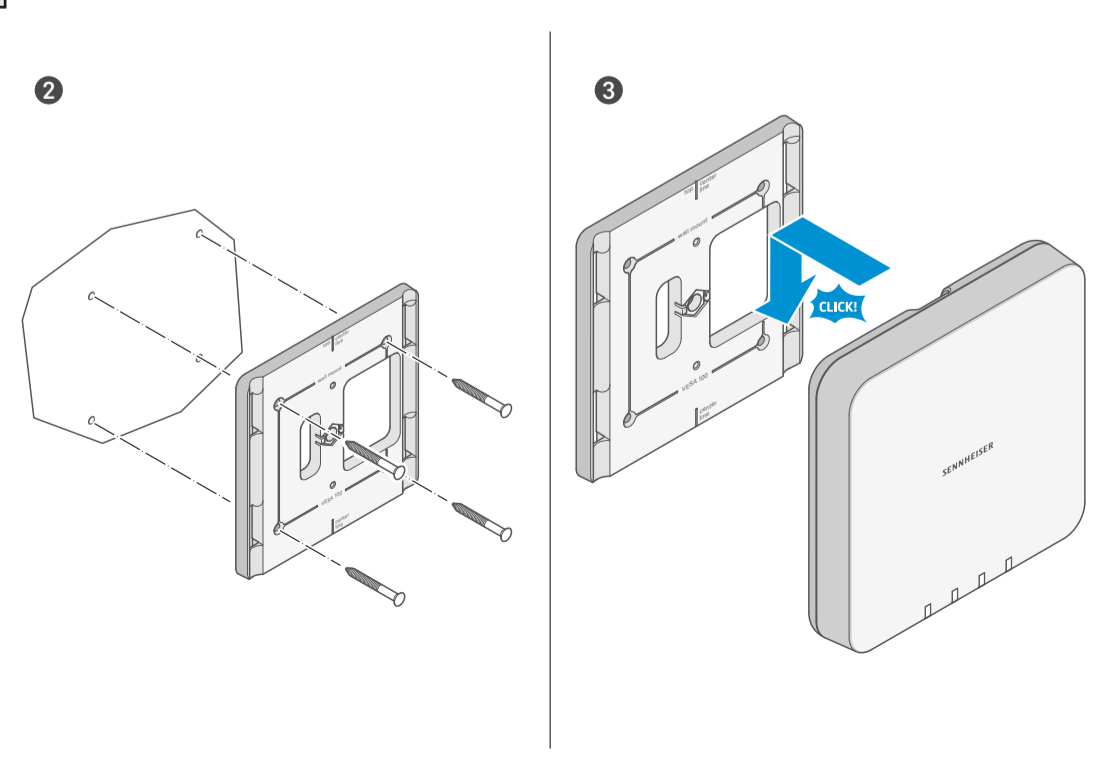
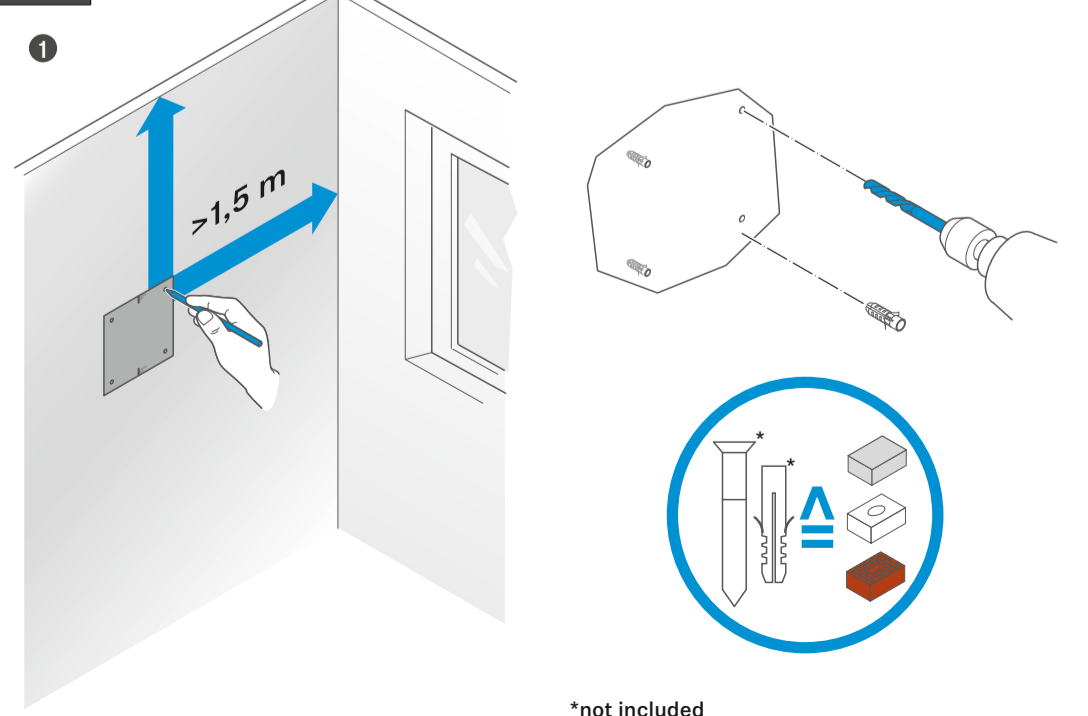


Configuration via Audinate Dante Controller | [www.audinate.com](http://www.audinate.com)

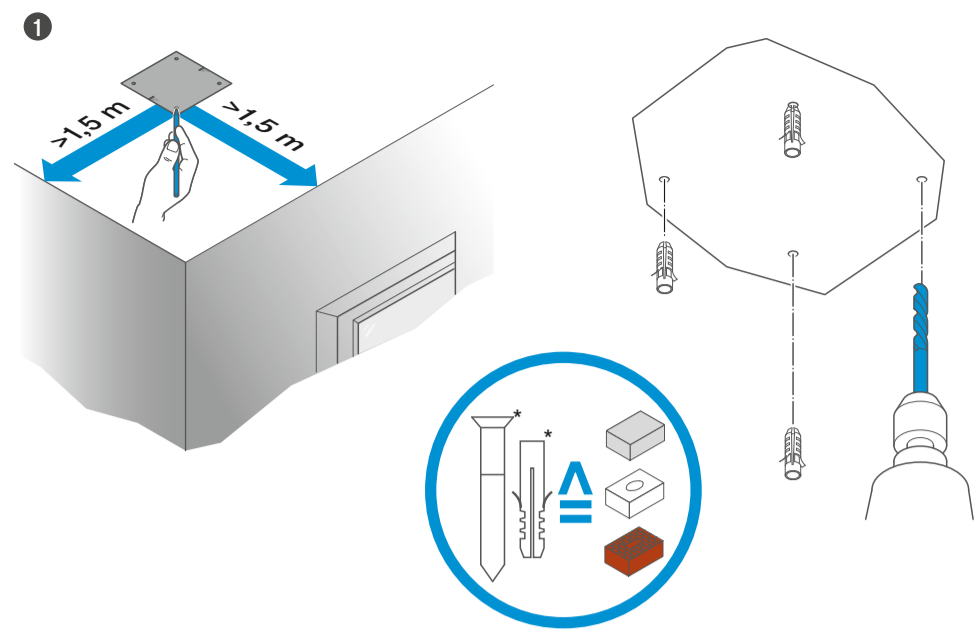
## Cable Routing



## Wall

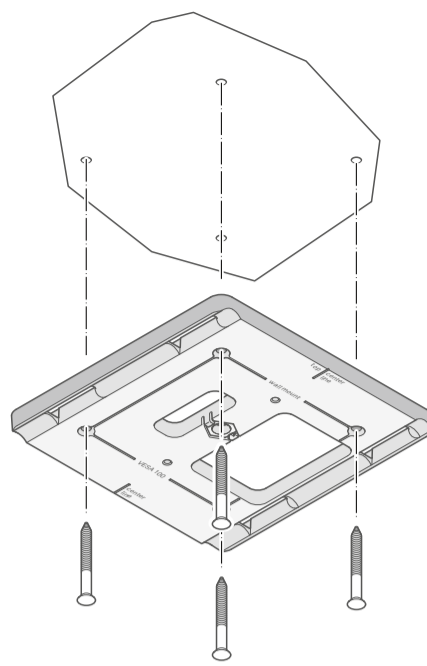


## Ceiling

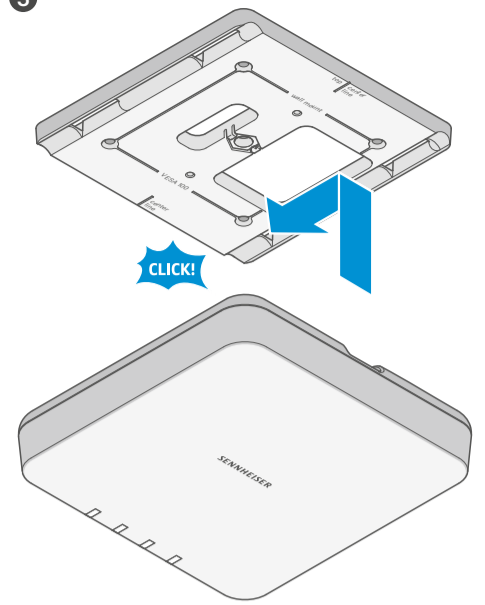


\*not included

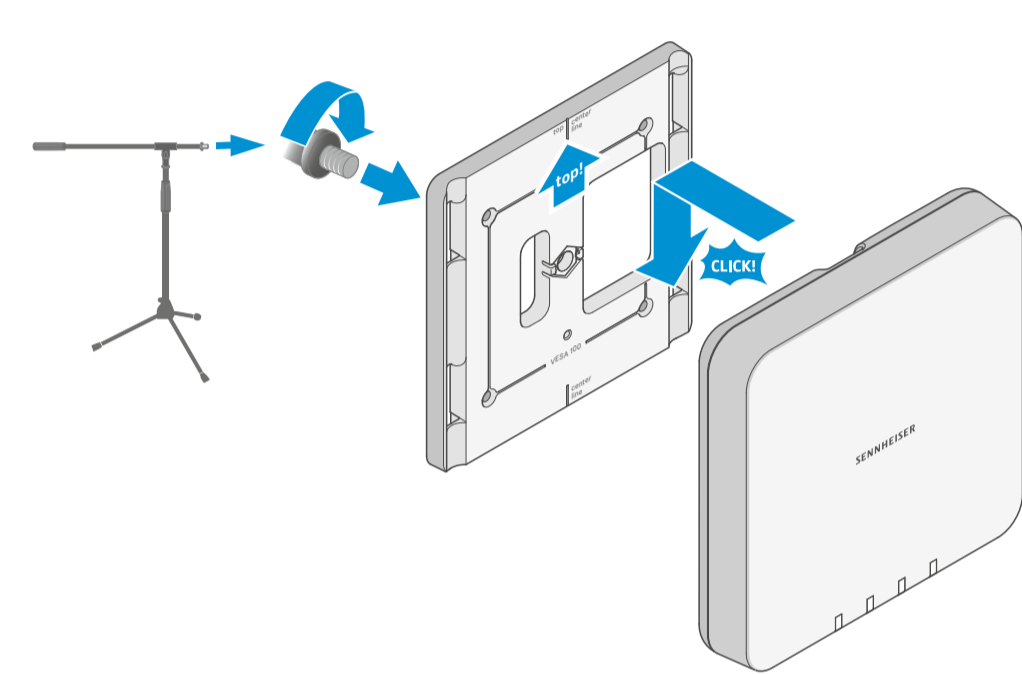
2



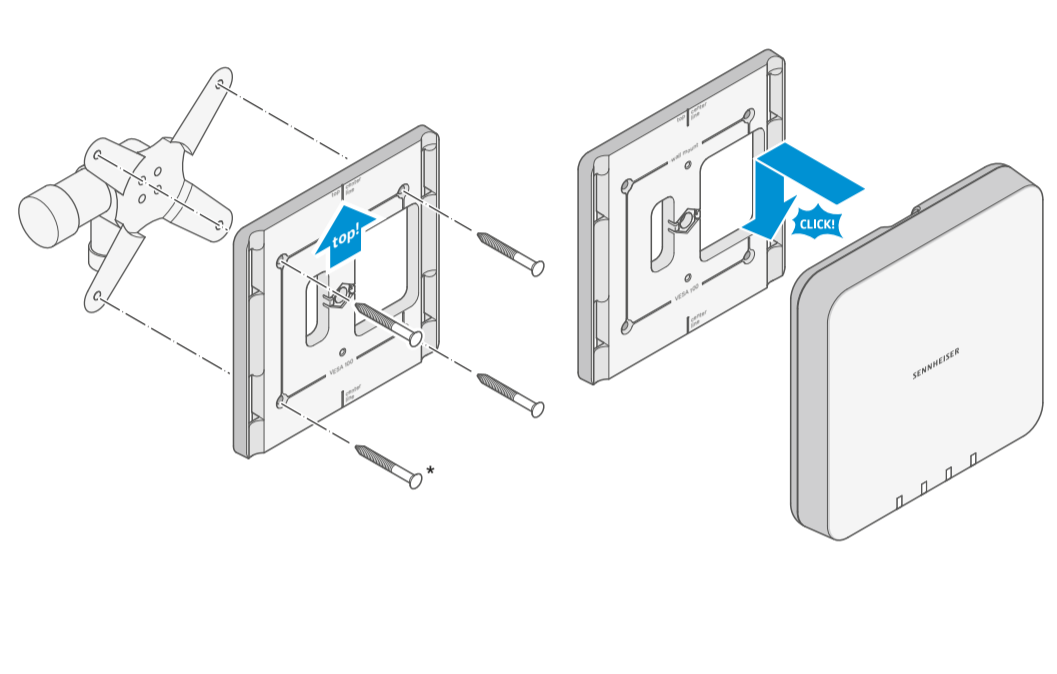
3



## Tripod / Mic Stand

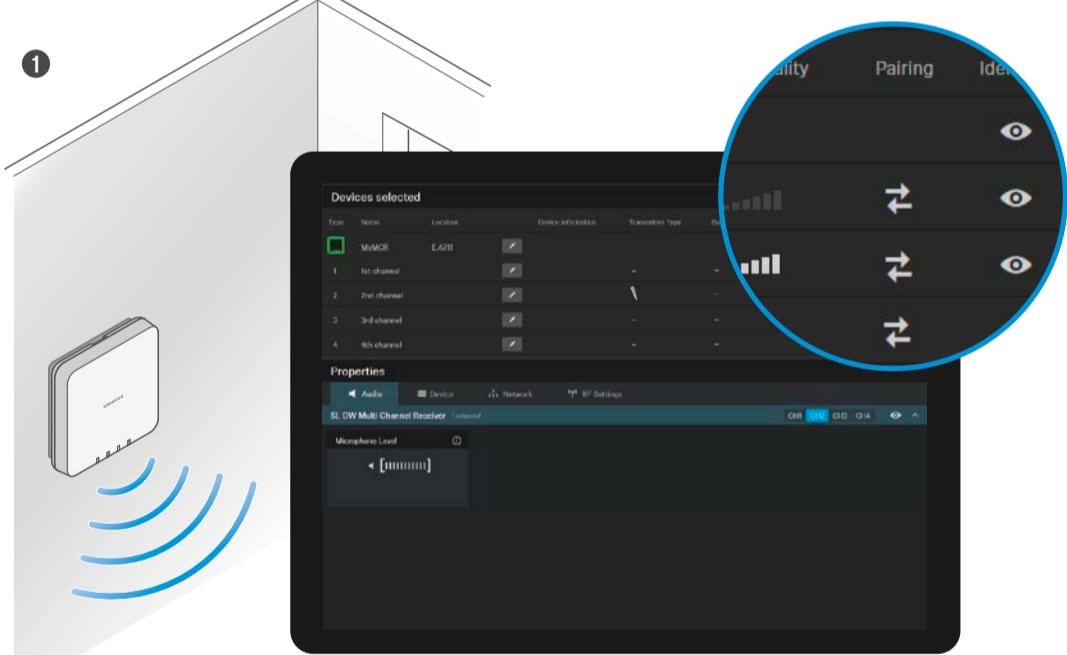


## VESA 100

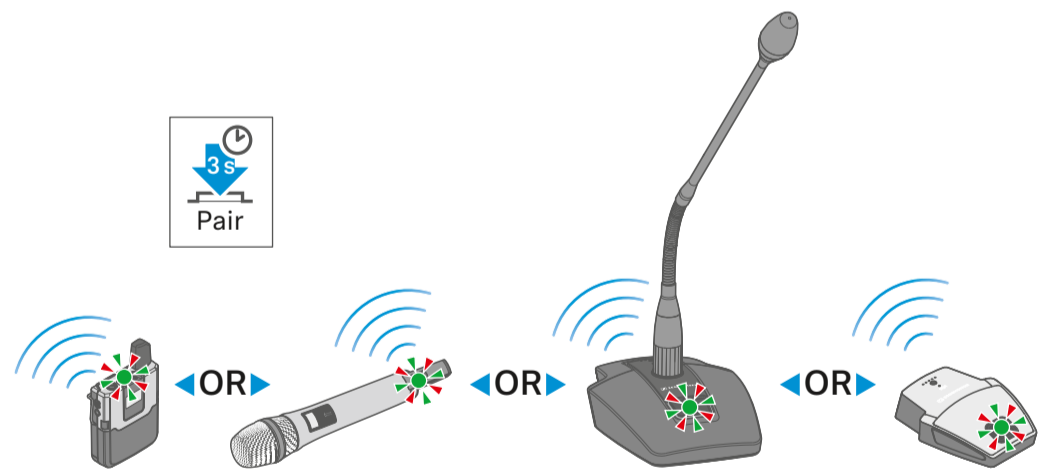



\*not included

## Pairing



2



Pairing via  Sennheiser Control Cockpit

[www.sennheiser.com/control-cockpit-software](http://www.sennheiser.com/control-cockpit-software)

**DE:** Detaillierte Informationen zu SpeechLine Digital Wireless finden Sie auf der Produktseite unter [www.sennheiser.com/speechline-dw](http://www.sennheiser.com/speechline-dw). Im Downloadbereich der Produktseite finden Sie die interaktive Bedienungsanleitung für die gesamte SpeechLine Digital Wireless-Serie. | **EN:** For more detailed information on SpeechLine Digital Wireless please refer to the product page at [www.sennheiser.com/speechline-dw](http://www.sennheiser.com/speechline-dw). You will find an interactive instruction manual for the entire SpeechLine Digital Wireless system in the download area of the product page. | **FR:** Pour des informations détaillées relatives à la série SpeechLine Digital Wireless, visitez la page produit sur [www.sennheiser.com/speechline-dw](http://www.sennheiser.com/speechline-dw). Vous trouverez une notice d'emploi interactive valable pour toute la série SpeechLine Digital Wireless sous la rubrique «Téléchargement» de la page produit. | **IT:** Informazioni dettagliate su SpeechLine Digital Wireless sono riportate nella pagina del prodotto all'indirizzo [www.sennheiser.com/speechline-dw](http://www.sennheiser.com/speechline-dw). Nella sezione Download della pagina del prodotto si trovano le istruzioni per l'uso interattive per l'intera serie SpeechLine Digital Wireless. | **ES:** Encontrará información detallada sobre SpeechLine Digital Wireless en la página del producto en [www.sennheiser.com/speechline-dw](http://www.sennheiser.com/speechline-dw). En el área de descargas de la página del producto encontrará las instrucciones de uso interactivas para toda la serie SpeechLine Digital Wireless. | **PT:** Estão disponíveis informações detalhadas sobre o SpeechLine Digital Wireless na página do produto em [www.sennheiser.com/speechline-dw](http://www.sennheiser.com/speechline-dw). Na área de download da página do produto está disponível o manual de instruções interativo referente a toda a série SpeechLine Digital Wireless. | **NL:** Op de productpagina onder [www.sennheiser.com/speechline-dw](http://www.sennheiser.com/speechline-dw) staat meer informatie over de SpeechLine Digital Wireless. In het downloadgedeelte van de productpagina staat de interactieve gebruiksaanwijzing voor de gehele SpeechLine Digital Wireless-serie. | **PL:** Szczegółowe informacje dotyczące SpeechLine Digital Wireless są podane na stronie produktu [www.sennheiser.com/speechline-dw](http://www.sennheiser.com/speechline-dw). W obszarze pobierania plików strony produktu znajduje się interaktywna instrukcja obsługi dla całej serii SpeechLine Digital Wireless. | **SE:** Mer information om SpeechLine Digital Wireless finns på produktsidan på [www.sennheiser.com/speechline-dw](http://www.sennheiser.com/speechline-dw). På produktsidan kan du även ladda ner en interaktiv bruksanvisning för hela serien SpeechLine Digital Wireless. | **DK:** Detaljerede informationer om SpeechLine Digital Wireless findes på produktsiden under [www.sennheiser.com/speechline-dw](http://www.sennheiser.com/speechline-dw). I produktsidens downloadområde finder du den interaktive betjeningsvejledning for hele SpeechLine Digital Wireless-serien. | **FI:** SpeechLine Digital Wireless -järjestelmä koskevia yksityiskohtaisia tietoja on tuotesivulla osoitteessa [www.sennheiser.com/speechline-dw](http://www.sennheiser.com/speechline-dw). Tuotteen latausalueella on koko SpeechLine Digital Wireless -sarjaa koskeva interaktiivinen käyttöohje. | **GR:** Λεπτομερείς πληροφορίες σχετικά με το SpeechLine Digital Wireless θα βρείτε στην ιστοσελίδα προϊόντος [www.sennheiser.com/speechline-dw](http://www.sennheiser.com/speechline-dw). Στην περιοχή λήψης της ιστοσελίδας προϊόντος θα βρείτε το διαδραστικό εγχειρίδιο χειρισμού για όλη τη σειρά SpeechLine Digital Wireless. | **TR:** SpeechLine Digital Wireless için detaylı bilgileri [www.sennheiser.com/speechline-dw](http://www.sennheiser.com/speechline-dw) altında ilgili ürün sayfasında bulabilirsiniz. SpeechLine Digital Wireless serisinin tamamı için ürün sayfasının indirme alanındaki etkileşimli kullanım kılavuzunu inceleyiniz. | **RU:** Подробные сведения о SpeechLine Digital Wireless можно найти на странице продукта на сайте [www.sennheiser.com/speechline-dw](http://www.sennheiser.com/speechline-dw). В разделе с материалами для загрузки на странице продукта находится интерактивное руководство для всей линейки устройств SpeechLine Digital Wireless. | **ZH:** 有关SpeechLine Digital Wireless的详细信息请参见[www.sennheiser.com/speechline-dw](http://www.sennheiser.com/speechline-dw)的产品页面。在产品页面的下载区域还可下载整个SpeechLine Digital Wireless系列的交互式使用说明书。 | **JA:** SpeechLine Digital Wirelessの詳細については [www.sennheiser.com/speechline-dw](http://www.sennheiser.com/speechline-dw) で製品ページをご覧ください。製品ページのダウンロードエリアでは、SpeechLine Digital Wireless全シリーズのインタラクティブな取扱説明書があります。 | **KO:** SpeechLine Digital Wireless에 관한 자세한 정보는 다음 제품 웹사이트를 참조하십시오. [www.sennheiser.com/speechline-dw](http://www.sennheiser.com/speechline-dw). 제품 웹사이트의 다운로드 영역에는 전체 SpeechLine Digital Wireless 시리즈의 대화식 사용 설명서가 있습니다.

