

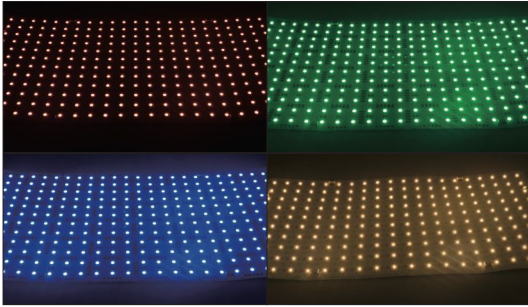
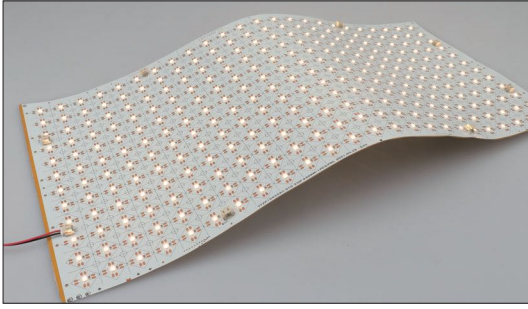
# TIGHT™ TAPE

## TIGHT SHEET

Single White / Tunable White / RGB / RGBW



Note: TIGHT may change product specifications and installation guidance without prior notice.



## FEATURES

- 24 VDC input
- 80+ CRI
- Single white / tunable white / RGB / RGBW options
- Highly adaptable design accommodates virtually any application
- LED lifetime of 50,000 hours (L70)
- 3M adhesive backing
- Operating temperature of -4°–113° F (-20°–45° C)
- IP20 environmental rating

## APPLICATIONS

Some common applications include sign lighting, bias lighting, cove lighting, task lighting, backlighting, accent lighting, and under cabinet lighting.

## Single White Parameters

Part NO.	Size	LED Type	LED Qty	LED Segment	Power	CRI	CCT	Lumen (lm/Sheet)	Efficacy (lm/w)
TS-30-W2700K-24-20	480 x 240mm	SMD2835	288LEDs/Sheet	1LED/Seg	30W/Sheet	Ra>80	2700K	2610	87
TS-30-W3000K-24-20							3000K	2760	92
TS-30-W4000K-24-20							4000K	2790	93
TS-30-W6000K-24-20							6500K	2850	95

## Tunable White Parameters

Part NO.	Size	LED Type	LED Qty	LED Segment	Power	CRI	CCT	Lumen (lm/Sheet)	Efficacy (lm/w)
TS-60-TW27-6K-24-20	480 x 240mm	SMD2835	400LEDs/Sheet	2LED/Seg	60W/Sheet	Ra>80	2700K only	2610	87
							6500K only	2850	95
							2700K + 6500K	5520	92

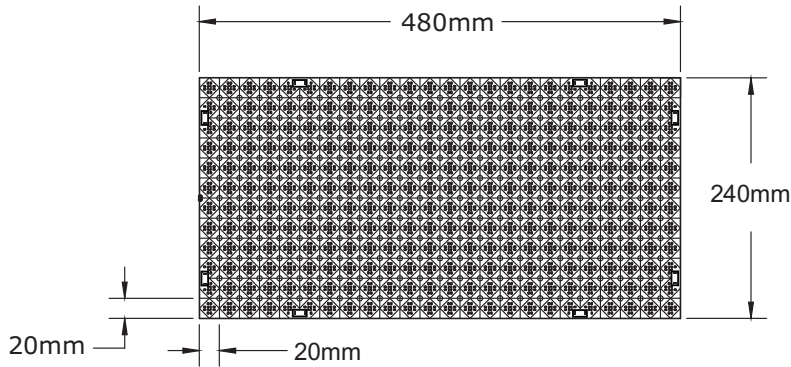
## RGB Parameters

Part NO.	Size	LED Type	LED Qty	LED Segment	Power	CRI	CCT	Lumen (lm/Sheet)	Efficacy (lm/w)
TS-65-RGB-24-20	480 x 240mm	SMD5050	288LEDs/Sheet	6LED/Seg	65W/Sheet	N/A	RGB	2775	35

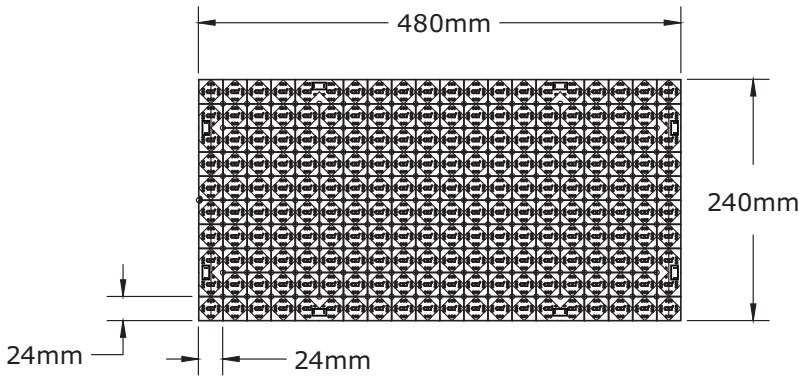
## RGBW Parameters

Part NO.	Size	LED Type	LED Qty	LED Segment	Power	CRI	CCT	Lumen (lm/Sheet)	Efficacy (lm/w)
TS-90-RGBW2700K-24-20	480 x 240mm	SMD5050	288LEDs/Sheet	6LED/Seg	90W/Sheet	Ra>80	RGB+2700K	3600	40
TS-90-RGBW3000K-24-20							RGB+3000K	4050	45
TS-90-RGBW4000K-24-20							RGB+4000K	4500	50
TS-90-RGBW6000K-24-20							RGB+6000K	4860	54

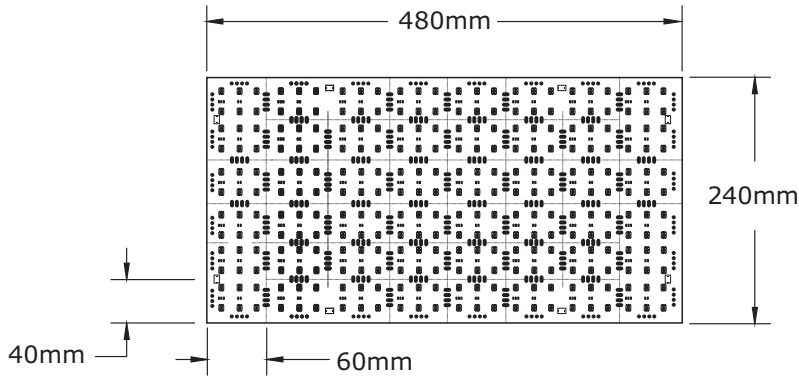
## SINGLE WHITE DIMENSIONAL DRAWINGS



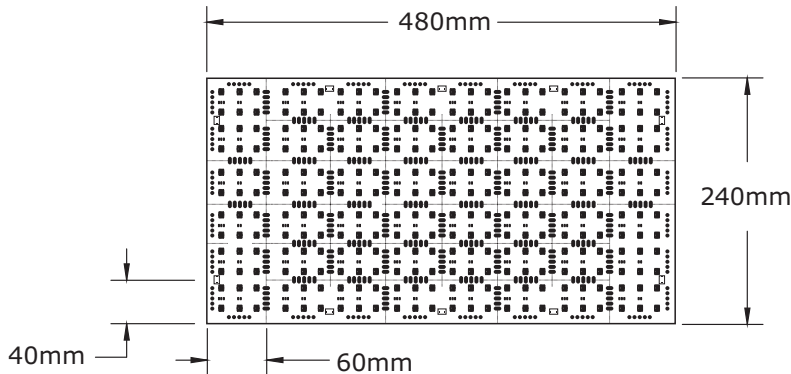
## TUNABLE WHITE DIMENSIONAL DRAWINGS



## RGB DIMENSIONAL DRAWINGS



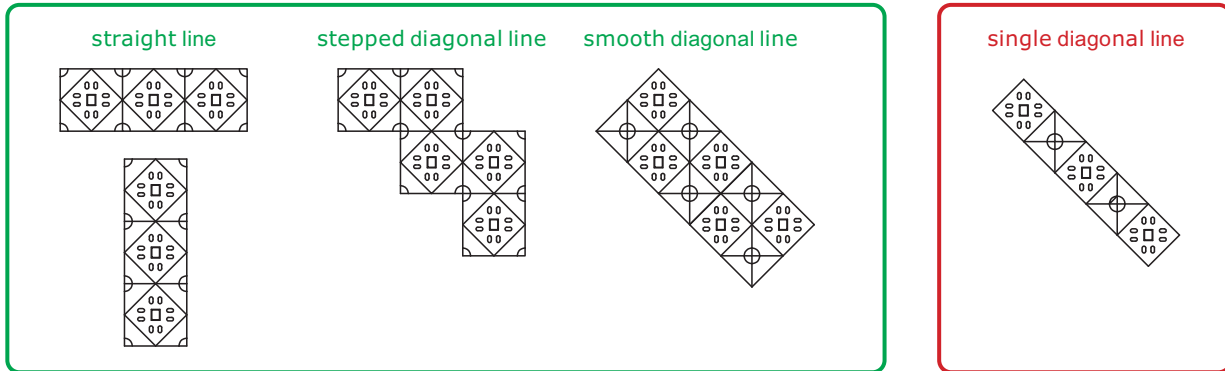
## RGBW DIMENSIONAL DRAWINGS



Note: The height for single white / tunable white is 1.5 mm, for RGB / RGBW is 2mm.

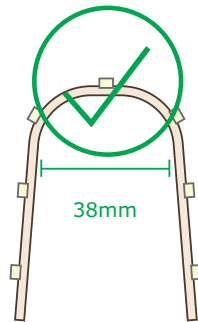
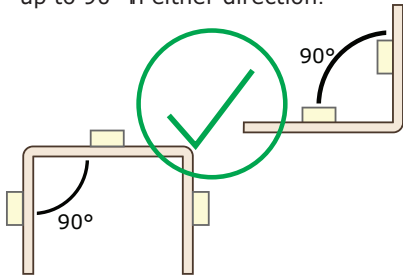
## CUTTING SEGMENTS

Strip sheets can be cut into many custom shapes. When cutting strips, it is important to use only the pre-marked cut lines on the sheet and also to maintain electrical contact. The images below represent the smallest possible linear routing types. The green box represents strip routing types that work by preserving the electrical connection, and the one in red represents a routing type that will not function correctly due to interruptions of the electrical connection.

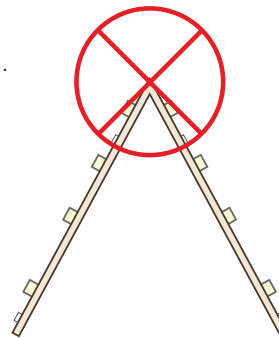


## STRIP FLEXIBILITY

Hard bends can be made up to 90° in either direction.

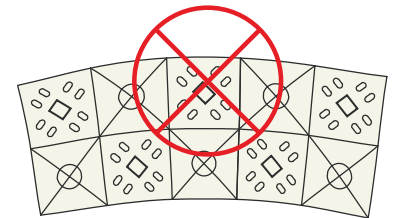


Soft bends less than 1.5 in. may damage circuit traces and void warranty.



Bending strip sheets or sections at sharp angles will damage circuit traces and void warranty.

Bending strip sheets or sections on horizontal plane will damage circuit traces and void warranty.



## Strip Sheet Specifications

### APPLICATION

Below are examples of the types of shapes and patterns that can be made and linked as needed to fit nearly any application. The only limiting factor is max run, which can be easily extended by connecting additional power supplies 3. Additional power supplies can connect to any individual square LED segment anywhere in the run for maximum flexibility.

