



POWERED MONITOR SPEAKER

MS101-4





THE DE FACTO STANDARD FOR COMPACT MONITORING IN A SIMPLE FORM

The standard model in our range of desktop utility powered monitors, the MS101-4 offers portability in a compact design and simple but comprehensive functions for outstanding usability. The MS101-4 comes with a 3/8-16 threaded female mounting for direct attachment to a Euro microphone stand, and optional accessories can also be added for use in a wide range of applications.

- 30W of amplifier power provides clean, high output sound
- Redesigned enclosure for an even lower profile
- Combo Input jack accepts both XLR and 1/4" connectors
- Directly mountable on Euro microphone stands (Optional mic stand adaptor BMS-10A is available for adjusting tilt angle)

POWERED MONITOR SPEAKER
MS101-4

A compact, convenient approach to high-quality monitoring anywhere

Yamaha's smallest powered monitor speaker compatible with both line and mic inputs, the MS101-4 powered monitor speaker offers the flexibility needed for temporary or permanent use in applications requiring simple, compact monitors.

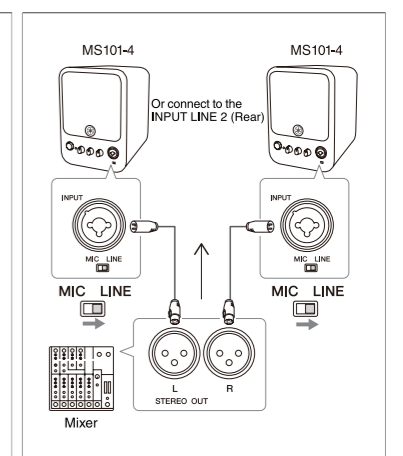
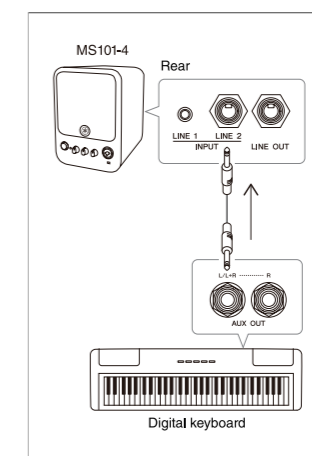
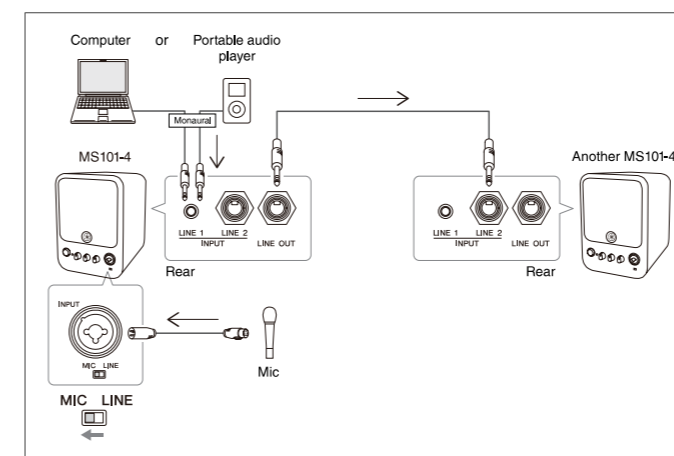


Simple, portable, durable design

With the controls (power switch, volume and tone controls) and the combo jack input on the lower front panel, the MS101-4 is simple and easy to operate. The sturdy metal grill offers complete protection for the four-inch cone driver, while the rear panel is equipped with one stereo mini and two TRS Phone input connectors, and an AC inlet for excellent portability. The bass reflex port is also located on the rear surface, resulting in a more compact chassis. The MS101-4 offers a compact, lightweight form that is both portable and durable.



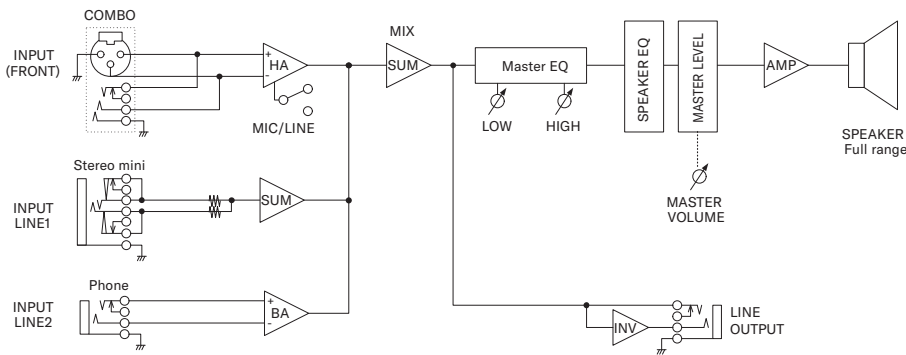
Setup Examples



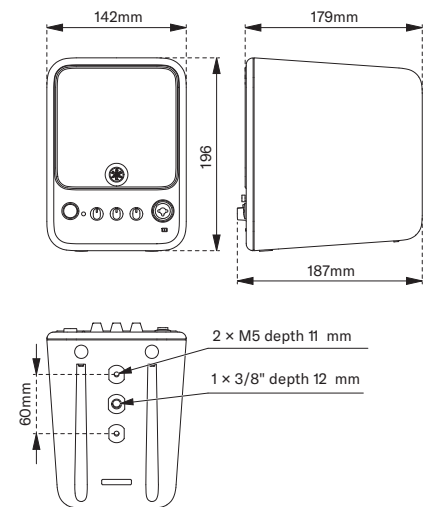
Specifications

System Type		Full range Powered Speaker, Bass-reflex Type
Frequency Range (-10dB)		77Hz-20kHz
Measured Maximum SPL (Peak) / Pink noise @1m		115 dB SPL
Component	Diameter	4" Cone
	Voice coil	1"
	Magnet	Ferrite
Dimensions (WxHxD, without rubber feet)		142 x 196 x 187 mm (5.6" x 7.7" x 7.4")
Net Weight		2.1 kg (4.6 lbs)
Screw threads (bottom)		2 x M5 depth 11mm pitch 60mm (for 2, M5 x 6-10mm screws) 1 x 3/8" depth 12mm (for 1 x 3/8" x 9-11mm screw)
Amplifier Type		Class-D
Power Rating *1	Dynamic	30W
	Continuous	20W
Cooling		Natural cooling (no fan)
Connectors	Input	[Front] INPUT: Combo, [Rear] INPUT LINE 1: Stereo Mini, INPUT LINE 2: Phone (TRS)
	Output	1 x Phone (TRS)
	Power	1 x AC inlet
Input Impedance		[Front] INPUT: LINE=5.4kΩ / MIC=5.4kΩ, [Rear] INPUT LINE 1,2: 10kΩ
Input Sensitivity (VOLUME: Maximum)		[Front] INPUT: LINE=-10 dBu / MIC=-40 dBu, [Rear] INPUT LINE 1,2: -10 dBu
Nominal Input Level (VOLUME: Center)		[Front] INPUT: LINE=+5 dBu / MIC=-25 dBu, [Rear] INPUT LINE 1,2: +5 dBu
Maximum Input Level		[Front] INPUT: LINE=+20 dBu / MIC=-10 dBu, [Rear] INPUT LINE 1,2: +20 dBu
Controls		1 x VOLUME, 1 x LOW CONTROL, 1 x HIGH CONTROL, POWER
Indicators (LED)		POWER (Green)
Idle Power Consumption		3 W
1/8 Power Consumption		10 W
Power Requirements		100V - 240V, 50/60Hz

Block Diagram



Dimensions



Optional Brackets



Wall Mounting brackets
BWS20-120



Wall Mounting brackets
BWS20-190



Ceiling Bracket
BCS20-150



Ceiling Bracket
BCS20-210



Mic Stand Adaptor
BMS-10A



Free-Angle Clamp
BAS-10



YAMAHA CORPORATION
P.O.BOX1, Hamamatsu Japan

<https://www.yamaha.com/2/proaudio/>

*All specifications are subject to change without notice.

*All trademarks and registered trademarks are property of their respective owners.

2022.03