

Overview

A portable PA system equipped with a 180W power amp, coaxial compression driver with 1.4" voice coil HF and 8" cone LF, a 5-channel digital mixer.



Features

- 180 W (HF: 30 W + LF: 150 W) Class-D amplifier
- 1.4" HF + 8" LF high-quality coaxial compression driver
- 5-channel digital mixer (3 monaural mic/line + 1 stereo line)
- Main output multi-band compressor "MODE"
- 1-Knob EQ/preset for each channel
- High-grade SPX digital reverb (4 program, parameter control), delay, chorus
- Hi-Z input
- Equipped with link-out/monitor out
- Supplied rubber stand allows inclining at 30 or 60 degrees
- Compatible with audio streaming via Bluetooth
- Can be controlled remotely via an iOS or Android device using the dedicated STAGEPAS Controller app
- Optional BTR-STP200 battery included (STAGEPAS 200BTR only)
- Optional CASE-STP200 carry case for convenient carrying

Specifications

Outline

Type	2-way Bi-amp Powered Speaker with mixer	
Mixing Capability	Mixing Channels	5 (Mono x 3 + Stereo x 1)
	Input Channel Functions	Hi-Z: CH2/3, 1-knob EQ/preset: CH1-3/ST
	Output Channel Functions	MODE (SPEECH/MUSIC/CLUB)
I/O	Inputs	Mono x 3 (mic/line) + Stereo/Mono x 1 (line)
	Outputs	Monitor/Link out x 1
	Bluetooth	Ver.5.0, A2DP (SBC, AAC), Class 1
	Control and Others	STAGEPAS Controller (iOS/Android app)
On-board Processors	DSP	SPX digital reverb (4 program, parameter control), delay, chorus

General Specifications

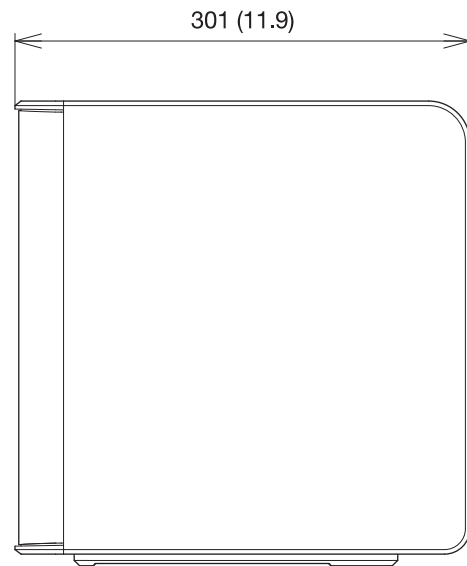
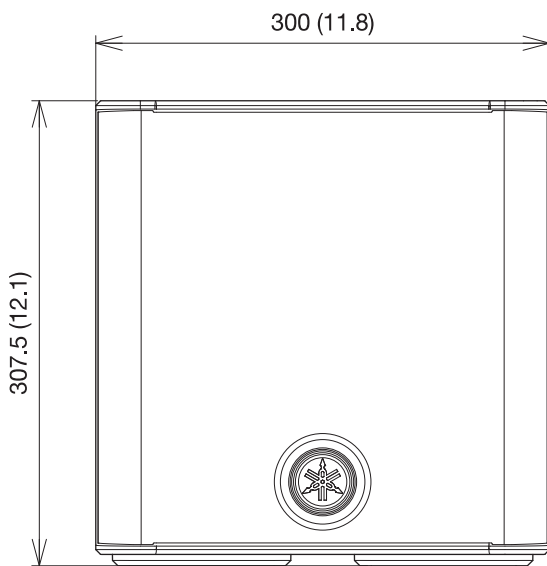
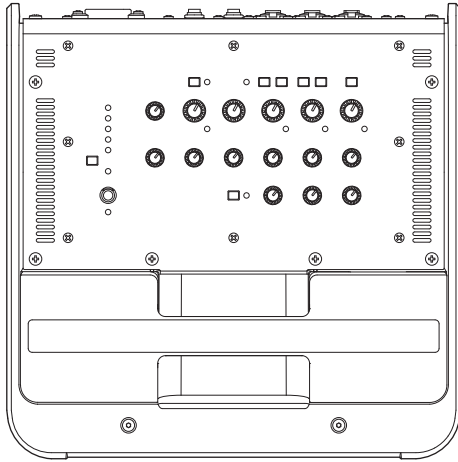
Speaker Type	Coaxial speaker with compression driver	
Frequency Range (-10 dB)	60 Hz – 20 kHz	
Coverage Area	H90° x V90°	
Crossover	2.0 kHz	
Maximum Output Level (1 m; on axis)	125 dB SPL *1	
Components	LF	8" Cone, 2.0" voice coil
	HF	1" throat compression driver, 1.4" voice coil
Amplifier Class	Class-D	
Power Rating	Dynamic	180 W (LF: 150 W, HF: 30 W)
Cooling	Natural convection (no fan)	
Power Consumption	10 W (Idle), 20W (1/8 power)	
Power Requirements	100 - 240 V 50/60 Hz, or 29.6 Vdc *2	
Battery	Type	Rechargeable Lithium ion battery pack *2
	Capacity	79.92 Wh (2700 mAh, 29.6 V) *2
	Operating Time	Maximum 10 hours, 1/16 power continuous 8 hours *2
	Charging Time	Approx. 4 hours *2
Cabinet Material	Plastic (ABS)	
Handle	Top x 1	
Pole Socket	Ø35 mm x 1 (Side)	
Floor Monitor Angle	30° or 60°	
Dimensions (W x H x D)	300 mm x 308 mm x 301 mm (11.8" x 12.1" x 11.9")	
Weight	STAGEPAS 200BTR: 12.5 kg (27.6 lbs) (Including battery)	
	STAGEPAS 200: 12.0 kg (26.5 lbs)	
Options	Battery: BTR-STP200, Carry Case: CASE-STP200	

*1 Measured peak SPL with pink noise @1 m.

*2 When using battery (STAGEPAS 200BTR or STAGEPAS 200 + BTR-STP200)

Dimensions

Unit: mm (inch)



Options

- Battery BTR-STP200
- Carry Case CASE-STP200

Software

- STAGEPAS Controller

Architectural and Engineering Specifications

The Yamaha STAGEPAS 200 shall be an AC and battery powered portable PA system designed for live music and events. The STAGEPAS 200 system shall integrate a 2-way bi-amplified powered loudspeaker with a built-in 5-channel mixer. Two models shall be available: the STAGEPAS 200 shall be provided without a BTR-STP200 rechargeable lithium ion battery pack (the battery pack shall be an option), and the STAGEPAS 200BTR model shall be supplied with BTR-STP200 rechargeable lithium ion battery pack.

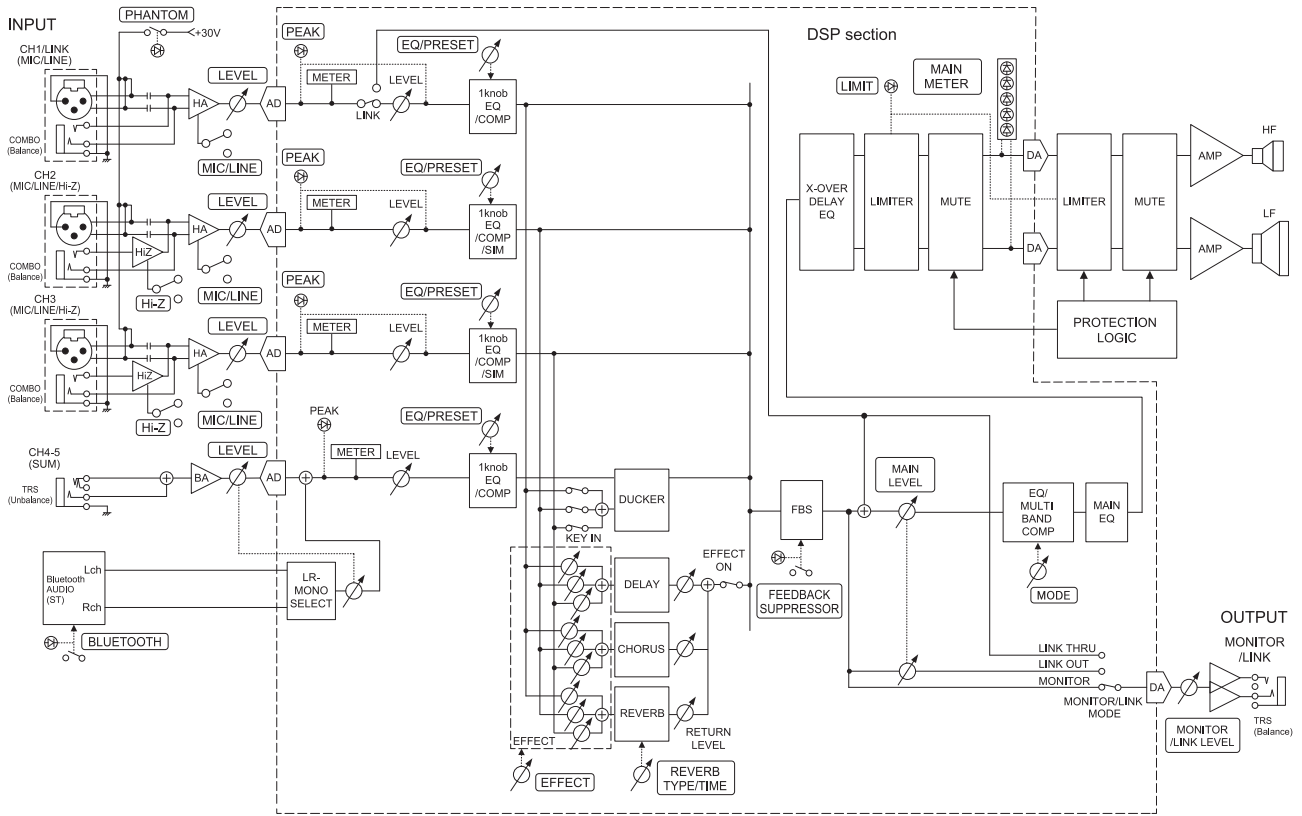
The STAGEPAS 200 mixer section shall have 5 analog input channels (3 mono microphone/line + 1 stereo line). All channels shall have a LEVEL control and 1-knob EQ control. Channels 1, 2, and 3 shall additionally include MIC/LINE input selectors, PEAK indicator LEDs, and EFFECT level controls. Channels 2 and 3 shall include Hi-Z switches to allow direct input of musical instruments. A single phantom power switch shall be provided for channel 1 through 3, allowing use of phantom-powered microphones. The mixer's MAIN (master) section shall include a LEVEL control, a LIMIT indicator, a MODE control that optimizes output for a variety of environments, a REVERB TYPE/TIME control that selects and adjusts four reverb types, a MONITOR/LINK level control, and a FEEDBACK SUPPRESSOR switch with indicator LED. The control panel shall also include a 5-segment LED output level meter that doubles as a battery check meter when the associated BATTERY CHECK switch is pressed. A Bluetooth switch shall allow pairing and wireless connection with Bluetooth audio source devices, with Bluetooth input routed to the mixer's stereo channels 4/5. A STAGEPAS Controller app for iOS and Android mobile devices shall be available for remote STAGEPAS 200 parameter control and status monitoring.

The STAGEPAS 200 shall provide balanced XLR/TRS combo connectors for input to mono channels 1, 2, and 3. A stereo phone jack shall be provided for mono or stereo input to stereo channels 4/5. The channel 1 input shall also function as a LINK input that receives the output from a second STAGEPAS 200 system when two systems are to be used in LINK mode. A phone jack MONITOR/LINK output shall be provided for use either as a LINK output for connection to a second STAGEPAS 200 system, or as a balanced or unbalanced monitor output. The amplifier section shall be an efficient class-D type capable of delivering 100 watts continuous output (90 watts to the low frequency driver, and 10 watts to the high frequency driver).

The STAGEPAS 200 coaxial loudspeaker system shall include a low-frequency driver with an 8" cone and 2" voice coil, and a compression high-frequency driver with a 1" throat and 1.4" voice coil, mounted on the same axis. The loudspeakers shall meet the following performance criteria: Maximum SPL shall be 125 dB at 1 meter, frequency range shall be 60 Hz to 20 kHz at 10 dB below rated sensitivity, and nominal coverage angle shall be 90° horizontal and 90° vertical. The crossover frequency shall be 2.0 kHz.

The STAGEPAS 200 loudspeakers, mixer, and power amplifier shall be built into an integrated enclosure that can be placed flat on a horizontal surface or tilted upward by 30 or 60 degrees using supplied rubber feet. The STAGEPAS 200 system shall be supplied with a power cord and owner's manual. The STAGEPAS 200BTR shall additionally be supplied with a BTR-STP200 rechargeable lithium ion battery pack. The BTR-STP200 rechargeable lithium ion battery pack shall also be available as an option. A dedicated carrying case shall be available as an option. Overall dimensions shall be 300 (W) x 307.5 (H) x 301 (D) mm. Weight shall be 12.0 kg (not including battery).

Block Diagrams



*All information subject to change without notice.

*All trademarks and registered trademarks are property of their respective owners.

Created in December, 2022

YAMAHA CORPORATION
P.O.BOX 1, Hamamatsu Japan