



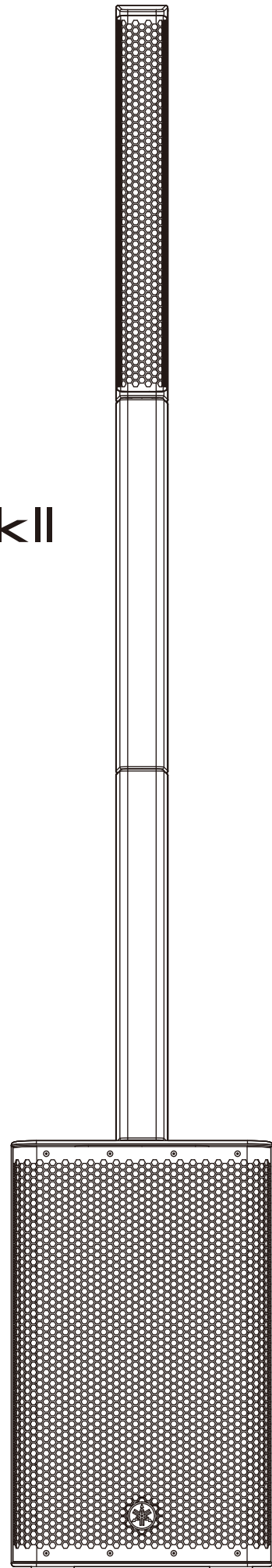
PORTABLE PA SYSTEM

STAGEPAS 1K mkII

Owner's Manual

Mode d'emploi

Manual de instrucciones



English

Français

Español

EN

FR

ES

FCC INFORMATION (U.S.A.)

1. IMPORTANT NOTICE: DO NOT MODIFY THIS UNIT!

This product, when installed as indicated in the instructions contained in this manual, meets FCC requirements. Modifications not expressly approved by Yamaha may void your authority, granted by the FCC, to use the product.

2. IMPORTANT:

When connecting this product to accessories and/or another product use only high quality shielded cables. Cable/s supplied with this product MUST be used. Follow all installation instructions. Failure to follow instructions could void your FCC authorization to use this product in the USA.

3. NOTE:

This product has been tested and found to comply with the requirements listed in FCC Regulations, Part 15 for Class "B" digital devices. Compliance with these requirements provides a reasonable level of assurance that your use of this product in a residential environment will not result in harmful interference with other electronic devices. This equipment generates/uses radio frequencies and, if not installed and used according to the instructions found in the users manual, may cause interference harmful to the operation of other electronic devices. Compliance with FCC regulations does not guarantee that interference will not occur in all installations. If this product is found to be the source of interference, which can be determined by turning the unit "OFF" and "ON", please try to eliminate the problem by using one of the following measures:

- Relocate either this product or the device that is being affected by the interference.
- Utilize power outlets that are on different branch (circuit breaker or fuse) circuits or install AC line filter/s.
- In the case of radio or TV interference, relocate/reorient the antenna. If the antenna lead-in is 300 ohm ribbon lead, change the lead-in to co-axial type cable.

If these corrective measures do not produce satisfactory results, please contact the local retailer authorized to distribute this type of product. If you cannot locate the appropriate retailer, please contact Yamaha Corporation of America, 6600 Orangethorpe Ave., Buena Park, CA90620, USA.

The above statements apply ONLY to those products distributed by Yamaha Corporation of America or its subsidiaries.

(529-M04 FCC class B YCA 01)

COMPLIANCE INFORMATION STATEMENT (Supplier's declaration of conformity procedure)

Responsible Party: Yamaha Corporation of America
Address: 6600 Orangethorpe Ave. Buena Park Calif. 90620
Telephone: 714-522-9011
Type of Equipment: PORTABLE PA SYSTEM
Model Name: STAGEPAS 1K mkII

This device complies with Part 15 of the FCC Rules.

Operation is subject to two following conditions:

- 1) this device may not cause harmful interference, and
- 2) this device must accept any interference received including interference that may cause undesired operation.

(529-M02 FCC sdoc YCA 01)

(台灣 RoHS)/ 限用物質含有情況標示資訊請參考下列網址
<https://tw.yamaha.com/zh/support/compliance/>
操作說明: 選擇語言 -(中文)/ 輸入 [產品型號] 或 [關鍵字]/ 按 [搜尋]

(74-M02 TW RoHS 01)

PRECAUTIONS

PLEASE READ CAREFULLY BEFORE PROCEEDING

Please keep this manual in a safe place for future reference.



WARNING

Always follow the basic precautions listed below to avoid the possibility of serious injury or even death from electrical shock, short-circuiting, damages, fire or other hazards. These precautions include, but are not limited to, the following:

If you notice any abnormality

- If any of the following problems occur, immediately turn off the power switch and disconnect the electric plug from the outlet.
 - The power cord or plug becomes frayed or damaged.
 - Unusual smells or smoke are emitted.
 - Some object, or water has been dropped into the product.
 - There is a sudden loss of sound during use of the product.
 - Cracks or other visible damage appear on the product.
 Then have the product inspected or repaired by qualified Yamaha service personnel.

Power supply

- Do not place the power cord near heat sources such as heaters or radiators, and do not excessively bend or otherwise damage the cord, place heavy objects on it, or place it in a position where anyone could walk on, trip over, or roll anything over it.
- Only use the voltage specified as correct for the product. The required voltage is printed on the name plate of the product.
- Use only the supplied power cord/plug.
If you intend to use the product in an area other than in the one you purchased, the included power cord may not be compatible. Please check with your Yamaha dealer.
- Check the electric plug periodically and remove any dirt or dust which may have accumulated on it.
- Make sure to fully insert the electric plug to prevent electric shocks or fire.
- When setting up the product, make sure that the AC outlet you are using is easily accessible. If some trouble or malfunction occurs, immediately turn off the power switch and disconnect the plug from the outlet. Even when the power switch is turned off, as long as the power cord is not unplugged from the wall AC outlet, the product will not be disconnected from the power source.
- Remove the electric plug from the outlet when the product is not to be used for extended periods of time.
- Do not touch the product or the electric plug during an electrical storm.
- Be sure to connect to an appropriate outlet with a protective grounding connection. Improper grounding can result in electrical shock, fire, or damage.

Do not open

- This product contains no user-serviceable parts. Do not attempt to disassemble the internal parts or modify them in any way.

Water warning

- Do not expose the product to rain, use it near water or in damp or wet conditions, or place on it any containers (such as vases, bottles or glasses) containing liquids which might spill into any openings.
- Never insert or remove an electric plug with wet hands.

Fire warning

- Do not place any burning items or open flames near the product, since they may cause a fire.

Hearing loss

- Before turning the power of all devices on or off, make sure that all volume levels are set to the minimum. Failing to do so may result in hearing loss, electric shock, or device damage.
- When turning on the AC power in your audio system, always turn on the product LAST, to avoid hearing loss and speaker damage. When turning the power off, the product should be turned off FIRST for the same reason.

Wireless unit

- Do not use this product near medical devices or inside medical facilities. Radio waves from this product may affect electro-medical devices.
- Do not use this product within 15 cm (6 in) of persons with a heart pacemaker implant or a defibrillator implant. Radio waves from this product may affect electro-medical devices, such as a heart pacemaker implant or defibrillator implant.



CAUTION

Always follow the basic precautions listed below to avoid the possibility of physical injury to you or others. These precautions include, but are not limited to, the following:

Power supply

- When removing the electric plug from the product or an outlet, always hold the plug itself and not the cord. Pulling by the cord can damage it.

Location and connection

- Do not place the product in an unstable position or a location with excessive vibration, where it might accidentally fall over and cause injury.
- Keep this product out of reach of children. This product is not suitable for use in locations where children are likely to be present.
- Do not block the vents. This product has ventilation holes at the rear to prevent the internal temperature from becoming too high. In particular, do not place the product on its side or upside down. Inadequate ventilation can result in overheating, possibly causing damage to the product(s), or even fire.
- To ensure proper heat dissipation of the product, when installing it:
 - Do not cover it with any cloth.
 - Make sure the top surface faces up; do not install on its sides or upside down.
 - Do not use the product in a confined, poorly-ventilated location.

Inadequate ventilation can result in overheating, possibly causing damage to the product(s), or even fire. Make sure that there is adequate space around the product: at least 30 cm above, 30 cm at the sides and 30 cm behind.

- Do not carry or transport the device unless it is disassembled. Otherwise, you might be injured if the speaker or spacers strike your head or body.
- Do not place the product in a location where it may come into contact with corrosive gases or salt air. Doing so may result in malfunction.
- Before moving the product, remove all connected cables.
- When transporting or moving the product, always use two or more people. Attempting to lift the product by yourself may result in injuries, such as back injuries, or cause the product to be dropped and broken, which could lead to other injuries.
- Do not press the rear panel of the product against the wall. Doing so may cause the plug and speaker cable to come in contact with the wall and detach from the power cord, resulting in short circuiting, malfunction, or even fire.

Maintenance

- Remove the power plug from the AC outlet when cleaning the product.

Handling caution

- Do not insert your fingers or hands in any gaps or openings on the product (vents).
- Do not rest your weight on the product or place heavy objects on it.
- Do not operate the product if the sound is distorting. Prolonged use in this condition could cause overheating and result in fire.
- Do not use the included line array speaker with other products, such as STAGEPAS 1K. Otherwise, malfunction, overheating or fire might be caused.
- Confirm that the finished installation is safe and secure. Also, carry out safety inspections periodically. Failure to observe this may cause devices to fall and result in injury.
- Assemble and install in the manner instructed in the manual. Falling or toppling may result in injury or damage.



The Bluetooth® word mark and logos are registered trademarks owned by Bluetooth SIG, Inc. and any use of such marks by Yamaha Corporation is under license.

IMPORTANT

Please record the serial number of this unit in the space below.

Model

Serial No.

The serial number is located on the bottom or rear of the unit. Retain this Owner's Manual in a safe place for future reference.

* This applies only to products distributed by YAMAHA CORPORATION OF AMERICA.

(Ser.No)

NOTICE

To avoid the possibility of malfunction/ damage to the product, damage to data, or damage to other property, follow the notices below.

Handling and maintenance

- Do not use the product in the vicinity of a TV, radio, or other electric products. Otherwise, the product, TV, or radio may generate noise.
- Do not expose the product to excessive dust or vibration, or extreme cold or heat, in order to prevent the possibility of panel disfiguration, unstable operation, or damage to the internal components.
- Do not install in locations where temperature changes are severe. Otherwise, condensation may form on the inside or the surface of the product, causing it to break.
- If there is reason to believe that condensation might have occurred, leave the product for several hours without turning on the power until the condensation has completely dried out, in order to prevent possible damage.
- Do not place vinyl, plastic or rubber objects on the product, since this might cause alteration or discoloration of the panel.
- Do not use sodium hypochlorite solution, ethanol, benzene, thinner, detergent or a chemical rag to clean the surface of the product. Otherwise, the surface may become discolored or deteriorate.

Information

About functions/data bundled with the product

- XLR-type connectors are wired as follows (IEC60268 standard): pin 1: ground, pin 2: hot (+), and pin 3: cold (-).

About this manual

- The illustrations as shown in this manual are for instructional purposes only.
- IOS is a trademark or registered trademark of Cisco in the U.S. and other countries and is used under license.
- The company names and product names in this manual are the trademarks or registered trademarks of their respective companies.

About disposal

- This product contains recyclable components. When disposing of this product, please contact the appropriate local authorities.

Yamaha cannot be held responsible for damage caused by improper use or modifications to the product, or data that is lost or destroyed.

Table of Contents

PRECAUTIONS	3	Playing Bluetooth® Audio.....	14
NOTICE.....	4	Registering (pairing) a Bluetooth® device	14
Information.....	4	Connecting a Bluetooth® device.....	14
Introduction.....	6	Playing audio files stored in a Bluetooth® device	14
Features	6	Disconnecting the Bluetooth® device ..	14
About STAGEPAS Controller	6	Controlling the Unit from STAGEPAS Controller.....	15
Package contents	6	Connecting STAGEPAS Controller.....	15
Optional items.....	6	Disconnecting STAGEPAS Controller ..	15
Controls and Functions	7	Maintaining the STAGEPAS Controller settings	15
Top panel.....	7	Initializing the STAGEPAS 1K mkII	16
Rear panel	9	Storing the Unit.....	16
Quick Start Guide	11	Troubleshooting	17
Attaching the line array speaker and spacers	11	General Specifications.....	18
Connecting microphones, musical instruments, or audio devices to the mixer section	11	Input Characteristics	19
Getting sound out of the speaker	11	Output Characteristics	19
Using this Product along with a DXL1K Powered Speaker.....	13	Dimensions	20
Playing audio in stereo	13	Block Diagram.....	21
Expanding the number of input channels	13		

Introduction

Thank you for purchasing the Yamaha STAGEPAS 1K mkII portable PA System! The STAGEPAS 1K mkII is an all-in-one portable PA system that is designed for use at musical or other live events. This owner's manual is intended for sound crew at live performances or other events.

It explains the steps required to set up the STAGEPAS 1K mkII throughout installation and connection of the PA system.

It also explains how to operate the STAGEPAS 1K mkII for sound amplification. To get the most out of your STAGEPAS 1K mkII and enjoy its sophisticated range of features, we recommend that you read this manual thoroughly and keep it in a safe place for future reference.

Features

- Easy setup involves connecting a line array speaker to the subwoofer.
- Line array speaker can consistently cover a broad area.
- 12-inch subwoofer produces a powerful low range.
- Equipped with a high-efficiency, 1,100 W Class-D amplifier, which has been powered up from the legacy models.
- Built-in mixer features controls that facilitate complex processes, including 1-knob EQ™ that enables you to handle multiple audio processes with only one knob.
- Efficient, dedicated cover that accommodates the line array speaker, spacers, and subwoofer.
- STAGEPAS Controller that enables you to control the unit intuitively and in great detail.

About STAGEPAS Controller

STAGEPAS Controller is application software that enables you to remotely control the STAGEPAS 1K mkII via Bluetooth from your mobile device, such as a smartphone or tablet. STAGEPAS Controller lets you adjust the parameters and monitor the meters and indicators on the STAGEPAS 1K mkII.

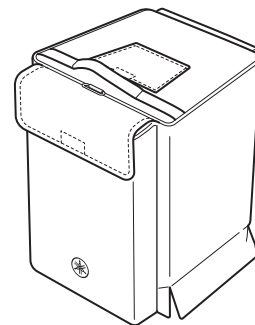
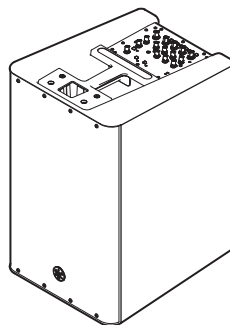
It also features music player functions, such as a "Cued Mode" function that engages the unit in stand-by mode until the song starts. This function is very useful when you are busy singing and playing.

For information on how to download STAGEPAS Controller, please refer to the following Yamaha Pro Audio website:

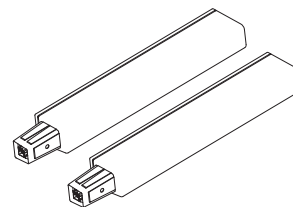
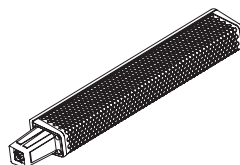
<https://www.yamahaproaudio.com/>

Package contents

- Subwoofer x 1
- Dedicated cover x 1



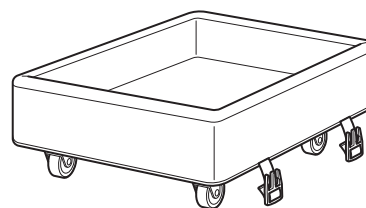
- Line array speaker x 1
- Spacer x 2



- Power cord x 1
- Owner's Manual (this book)

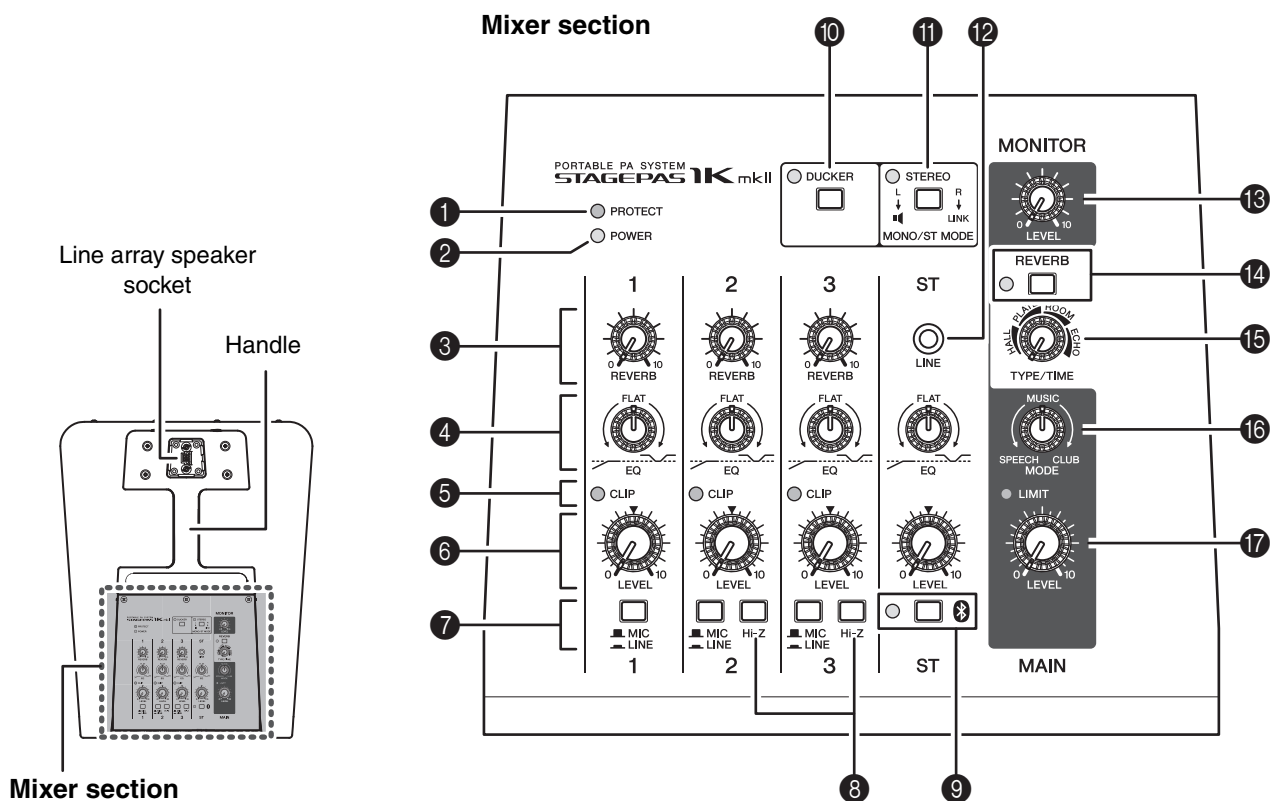
Optional items

- DL-SP1K dolly dedicated for STAGEPAS 1K mkII



Controls and Functions

Top panel



1 [PROTECT] LED

Lights red when the protection circuit is activated. The protection circuit will be activated in the following cases, and the speaker output will be muted.

- Amplifier overheat is detected
- A current surge is detected
- The power to the unit is turned on: The protection circuit will be activated for a few seconds to avoid noise. After the unit is properly turned on, the LED will turn off.

If the protection circuit is activated, wait until the temperature of the amplifier section decreases. Alternatively, turn the power to the unit off and then back on. Then the protection circuit will be deactivated. If the protection circuit is not deactivated, please contact your Yamaha dealer.

2 [POWER] LED

Lights green when the [I/O] (Power) switch (26) is turned on.

3 [REVERB] control (channel 1-3)

Determine the amount of reverb for each channel when the [REVERB] switch (14) is turned on.

4 [EQ] controls

From the center (FLAT) position, turn these controls counterclockwise to cut the low range. Turn them clockwise to boost both low and high ranges.

5 [CLIP] LEDs (channel 1-3)

Light red if signals are clipping due to excessive input levels. If these LEDs light up, lower the level of the corresponding input channels, or set the corresponding [MIC/LINE] switches to LINE.

6 [LEVEL] controls

Use these controls to adjust the volume for each channel. To reduce noise, set LEVEL controls on unused channels to minimum.

7 [MIC/LINE] switches

For low-level signals (including microphones), set the switches to the MIC (M) position. For high-level signals (including electronic musical instruments and audio devices), set the switches to the LINE (L) position.

8 [Hi-Z] switches (channel 2-3)

This switch is used when connecting a device directly to the mixer without a DI (direct box)—for example, instruments with passive pickups, such as an acoustic-electric guitar or electric bass without a battery. This function is effective only for the phone jack input.

9  (Bluetooth) switch/LED

This switch turns the Bluetooth audio connection on or off. It is also used to pair (register) a Bluetooth device (page 14).

The LED indicates the following status:

LED	Status
Off	Bluetooth standby mode
Lit steadily	Bluetooth connected
Flashing slowly	Searching for a Bluetooth device
Flashing rapidly	Waiting for Bluetooth pairing

NOTE

The STAGEPAS 1K mkII enables you to pair (register) up to eight Bluetooth devices. Once the ninth Bluetooth device has been paired successfully, the pairing information for the Bluetooth device that was connected earliest will be deleted.

10 [DUCKER] switch/ LED

When this switch is turned on, the ST channel volume will automatically be lowered if the signal level input to channels 1-3 exceeds a certain level. Use this switch if you want to automatically lower the BGM volume level while using the microphone. The LED will light orange when the switch is turned on.

11 [MONO/ST MODE] switch/LED

Enables you to select whether the audio output from the speaker is monaural (MONO) or stereo (STEREO). Pressing this switch repeatedly will toggle between MONO and STEREO. If STEREO is selected, the L-channel signal of the stereo input will be output from this unit, while the R-channel signal will be output via the [LINK] output jack to the other STAGEPAS 1K mkII.

The LED will light orange if STEREO is selected.

12 [LINE] input jack

Supports stereo-mini plugs. Connect an audio device here. A signal from the Bluetooth device is always mixed to the ST IN channel.

13 [MONITOR] control

Determines the signal level output from the [MONITOR] output jack (23). The [MAIN LEVEL] control does not affect this signal.

14 [REVERB] switch/LED

When this switch is on, the LED lights up, indicating that you can apply reverb (reverberation/echo).

15 [REVERB TYPE/TIME] control

Determines reverb type and length. Turning the control clockwise lengthens the time of the selected reverb type.

HALL: Simulated reverb of a large space, such as a concert hall.

PLATE: Simulated steel plate reverb, producing a harder-edged and brighter sound.

ROOM: Simulated acoustic ambience of a small room.

ECHO: Echo effect suitable for vocals.

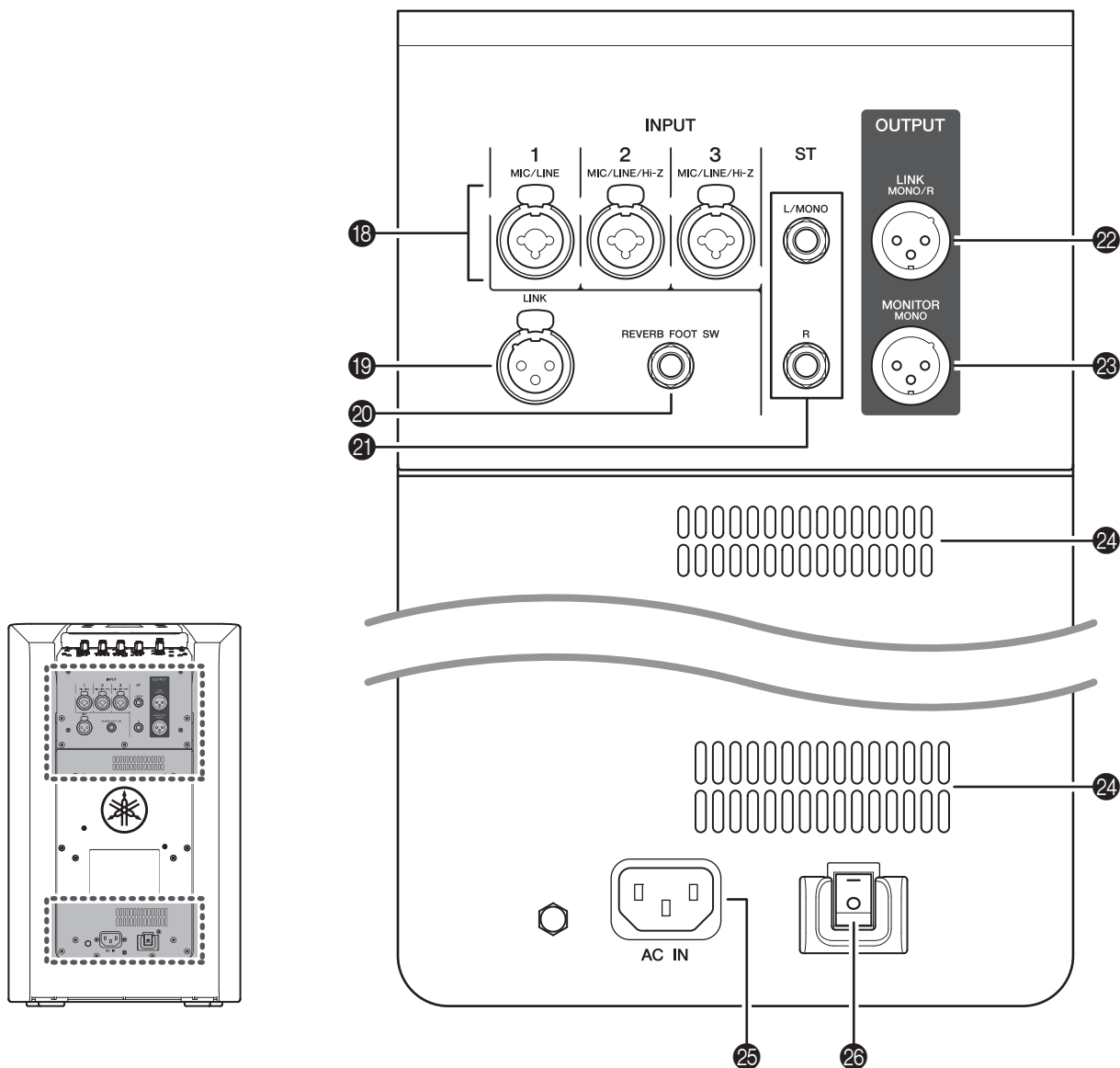
16 [MODE] control

Use this control to adjust the overall sound pressure and frequency balance. The center position (MUSIC) is a basic setting. If you turn the control counterclockwise (SPEECH), it will cut unneeded low-range frequencies, and create an optimum setting for speech, or singing and playing an acoustic musical instrument. If you turn the control clockwise (CLUB), it will create an optimum setting for playback of sound sources, since the high and low ranges are boosted.

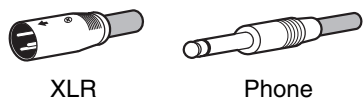
17 [MAIN LEVEL] control/ [LIMIT] LED

Determines the volume level of the signal output from the speaker and the level of the signal routed to the [LINK] output jack simultaneously. This allows you to adjust the overall volume without changing the relative volume balance among the various channels. The [LIMIT] LED lights when the limiter is applied.

Rear panel



18 [MIC/LINE] input jacks (channel 1-3)
 Connect microphones, guitars, electronic musical instruments or audio equipment. These are combo jacks that support both XLR and phone plugs. Channels 2 and 3 support Hi-Z.



XLR

Phone

19 [LINK] input jack
 This jack supports an XLR-type plug. Connect the [LINK] output jack of the STAGEPAS 1K mkII to the [LINK] input jack of a second unit (another STAGEPAS 1K mkII or a DXL1K) (see page 13 “Playing audio in stereo”). We recommend that you use this jack if you plan to input a line-level signal from an external device such as a mixing console.

NOTE

A signal input at this jack is output directly from the speaker.
 To control the tone and volume level of the signal, use a connected STAGEPAS 1K mkII or mixing console.

20 [REVERB FOOT SW] jack

This connects to an unlatched-type footswitch, such as the Yamaha FC5. This can be useful for solo performers, since you can toggle the reverb on and off as needed with your foot.

21 [ST] input jacks

These jacks support phone-type plugs. Connect line-level devices such as electronic musical instruments, acoustic-electric guitars, CD players, and portable audio players.

For monaural input, connect a cable to the L/MONO jack. For stereo input, connect cables to both L/MONO and R jacks. A signal from the Bluetooth device is always mixed to the ST IN channel.

22 [LINK] output jack

This jack supports an XLR-type plug. Mixed signals are output to the other STAGEPAS 1K mkII. Connect the [LINK] output jack of the first STAGEPAS 1K mkII to the [LINK] output jack of the other STAGEPAS 1K mkII. Alternatively, you can connect a powered speaker here. (See page 8 **11** [MONO/ST MODE] switch/LED).

23 [MONITOR] output jack

This jack supports an XLR-type plug. You can connect a powered speaker to this jack for monitoring purposes. Mixed monaural signals are output from here. Use the MONITOR control to adjust the output level (**13**). This jack is useful when you are recording a live performance to a recorder, or distributing a live broadcast.

24 Vents

These are the vents for the cooling fan inside this product. Do not block the vents when the unit is in use.

25 [AC IN] jack

Connect the included power cord here. Connect the power cord to this jack, and then insert the power plug into an AC outlet.

Be sure to turn off the power switch before connecting or disconnecting the power cord.

26 I / O (Power) switch

Turns the power to the unit on (I) or off (O). When you turn on the power to all connected devices, be sure to first turn on the power to the external sound source, then to this unit, and finally to the device that is connected to the [MONITOR] output jack or [LINK] output jack. When you turn off the power to all devices, follow this order in reverse.

Notice

Even when the power switch is turned off, a minimal amount of electric current is still flowing to the unit. If you plan not to use the unit for an extended period of time, be sure to unplug the power cord from the AC outlet.

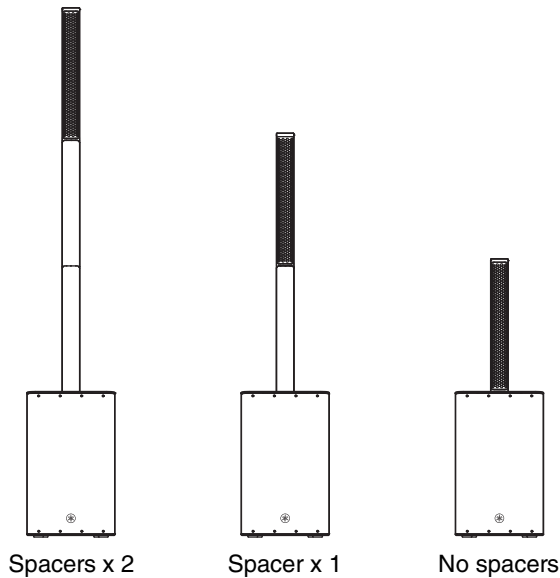
NOTE

Rapidly turning the unit on and off in succession may cause it to malfunction. After turning the unit off, wait for about five seconds before turning it on again.

Quick Start Guide

Attaching the line array speaker and spacers

Use the included spacers to install the line array speaker at approximately the same height as the ears of the audience. The line array speaker features a grille.



1. Insert the line array speaker and spacers firmly into the sockets one by one.

Use the spacers as needed.

NOTE

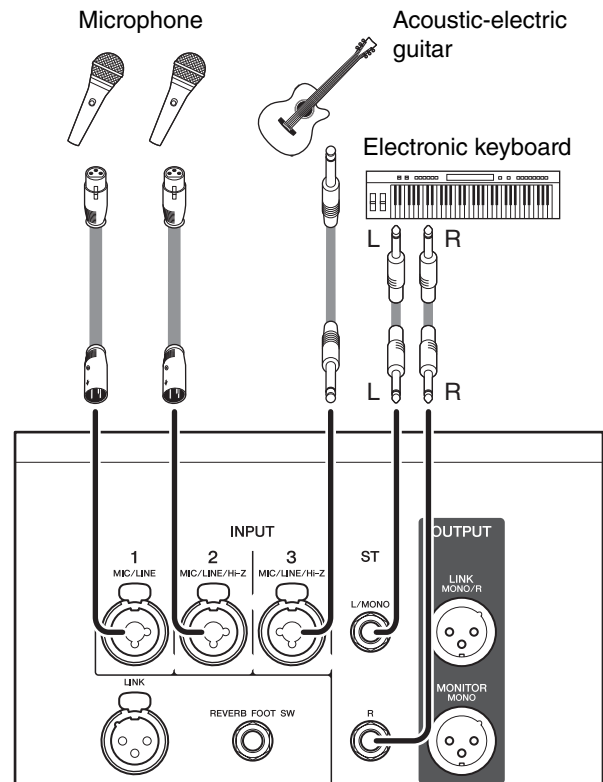
Insert the line array speaker and spacers firmly into the sockets. If the connectors are not in contact sufficiently, no sound may be output.



Connecting microphones, musical instruments, or audio devices to the mixer section

Before making connections, lower the volume level to the minimum by rotating the [LEVEL] controls counter-clockwise.

■ Connection example

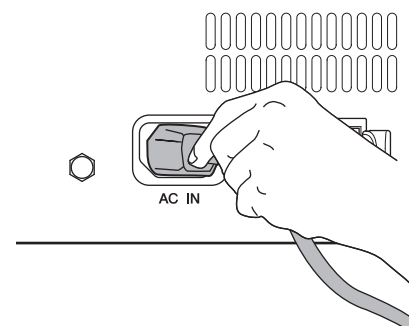


2. Connect desired devices, such as a microphone, or a musical instrument to the input jacks of the mixer section.

Getting sound out of the speaker

Make sure that the power to the STAGEPAS 1K mkII is turned off.

3. Connect the plug on the included power cord to the [AC IN] jack on the rear panel of the unit.



- Insert the other end of the power cord into a power outlet.



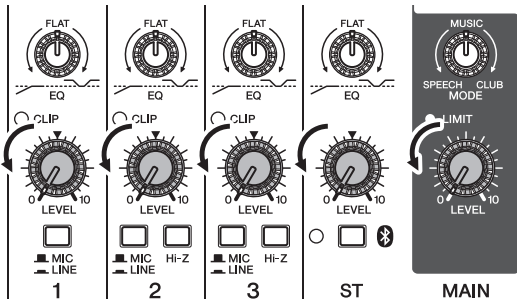
Warning

- The STAGEPAS 1K mkII has been designed for grounded use. To avoid electrical shock and damage to connected devices, be sure to ground the unit using the included power cord. If you have any questions regarding proper connections, please contact your nearest Yamaha dealer.
- Use only the included power cord. Otherwise, heat may be generated or an electrical shock may be caused.

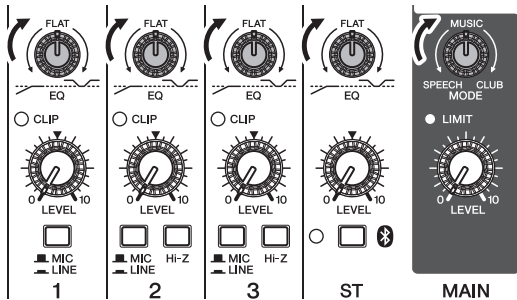
Notice

Even when the power switch is turned off, a minimal amount of electric current is still flowing to the unit. If you plan not to use the unit for an extended period of time, be sure to unplug the power cord from the AC outlet.

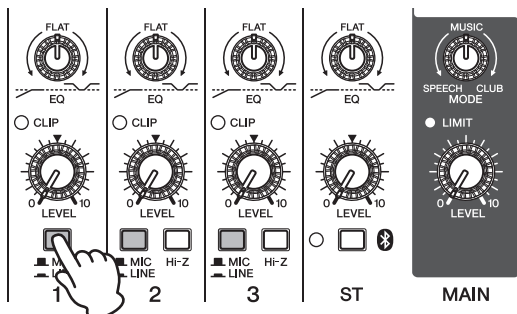
- Turn the [LEVEL] controls (white knobs) and [MAIN LEVEL] control (red knob) to the minimum (zero).



- Also, set the [EQ] controls (green knobs) to the center (FLAT) position, and set the [MODE] control (yellow knob) to the (MUSIC) position.

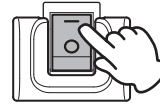


- Set the [MIC/LINE] switch to the MIC (M) position for channels to which a microphone is connected. Set the [MIC/LINE] switch to the LINE (L) position for channels to which a musical instrument or audio device is connected.

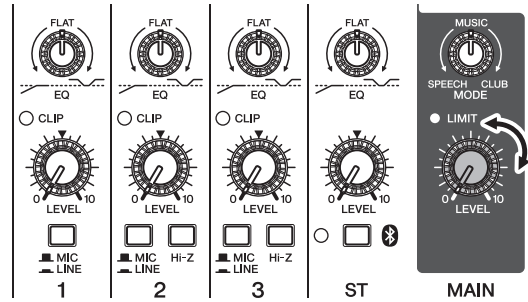


- Turn on the power to the connected musical instrument or audio device, then to this unit.

The [POWER] LED lights up.



- Use the [MAIN LEVEL] control to adjust the volume to an appropriate level.



- While playing your musical instrument or singing into the microphone, use the [LEVEL] controls to adjust the volume of the corresponding channels.

- Use the [MAIN LEVEL] control to adjust the overall volume.

If you can hear sound and the volume seems appropriate, setup is complete. If not, please refer to the checklist in the “Troubleshooting” section (page 17).

NOTE

To avoid any loud, unexpected noises from the speaker, first turn off the power to this unit, and then turn off the connected sound source (such as a musical instrument or audio device).

Adjusting the volume

■ When the volume is too loud

Turn the [LEVEL] control for the corresponding channel to the minimum (zero). Set the [MIC/LINE] switch to the LINE (L) position, then slowly raise the [LEVEL] control until the desired volume is reached.

■ When the volume is too low

Turn the [LEVEL] control for the corresponding channel to the minimum (zero). Set the [MIC/LINE] switch to the MIC (M) position, then slowly raise the [LEVEL] control until the desired volume is reached.

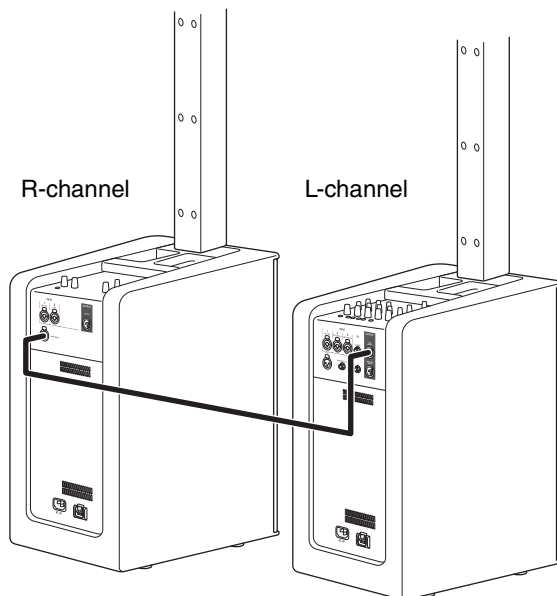
Using this Product along with a DXL1K Powered Speaker

Playing audio in stereo

You can play audio in stereo by adding another STAGEPAS 1K mkII unit or a DXL1K powered speaker.

1. Connect the [LINK] output jack of the L-channel STAGEPAS 1K mkII to the [LINK] input jack of the R-channel STAGEPAS 1K mkII or DXL1K.

Use the L-channel STAGEPAS 1K mkII to input an audio signal from the source.

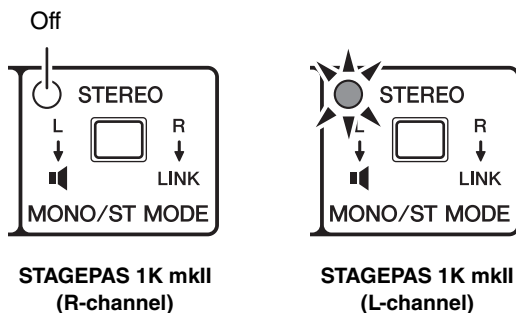


NOTE

A signal input to the R-channel STAGEPAS 1K mkII (on channels 1–3 or ST) will be played only from the R-channel speaker.

2. Press the [MONO/ST MODE] switch to engage STEREO mode of the L-channel STAGEPAS 1K mkII.

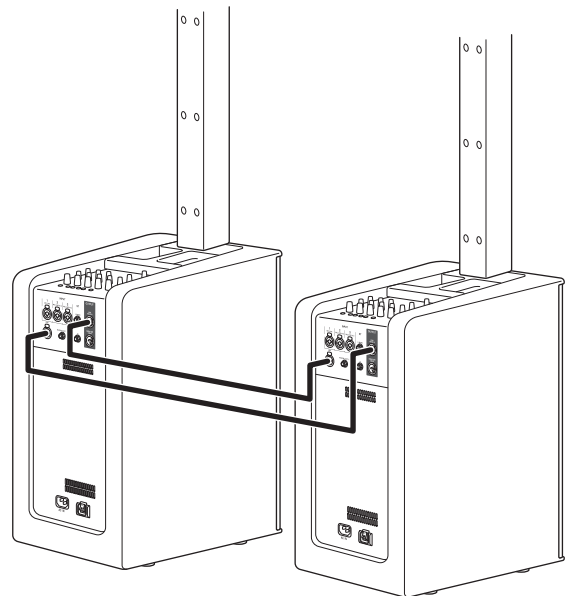
The [STEREO] LED lights in STEREO mode.



Expanding the number of input channels

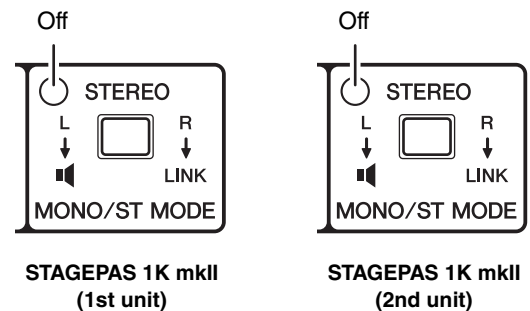
You can double the number of input channels by connecting two STAGEPAS 1K mkII units to each other. Each STAGEPAS 1K mkII unit will operate as a monaural channel.

1. Connect the [LINK] input jack and the [LINK] output jack of one of the STAGEPAS 1K mkII units to the [LINK] output jack and [LINK] input jack of the other unit respectively.



2. Press the [MONO/ST MODE] switch to engage MONO mode on both units.

The [STEREO] LED turns off in MONO mode.





Playing Bluetooth® Audio

You can set up the STAGEPAS 1K mkII so it will play audio files stored in Bluetooth devices, such as a mobile device.

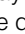
Registering (pairing) a Bluetooth® device

Before you can connect a Bluetooth device for the first time, you need to “pair” the device. “Pairing” refers to registering one Bluetooth device with another Bluetooth device.

Once pairing is complete, you will be able to reconnect those devices easily after you terminate a Bluetooth connection.

1. **Make sure that the  (Bluetooth) LED is turned off. If the LED is lit steadily or is flashing, press the  (Bluetooth) switch to place the Bluetooth function in standby mode.**

2. **Press and hold down the  (Bluetooth) switch for three seconds or longer.**

The  (Bluetooth) LED will flash rapidly, indicating that the unit is ready for pairing.



ST


3. **Turn on the Bluetooth function on the Bluetooth device that you want to pair.**

For more information, refer to the owner’s manual for the Bluetooth device.

4. **Once the Bluetooth device displays a list of other Bluetooth devices that are available for connection, select STAGEPAS 1K mkII AUDIO.**

NOTE

You can change the name of the unit in the Device Name setting of STAGEPAS Controller.

When the pairing process is complete, the Bluetooth connection will be established and the  (Bluetooth) LED will light up.



ST


NOTE

- The STAGEPAS 1K mkII enables you to pair (register) up to eight Bluetooth devices. Once the ninth Bluetooth device has been paired successfully, the pairing information for the Bluetooth device that was connected earliest will be deleted.
- You must complete the pairing process on the Bluetooth device within two minutes.


Connecting a Bluetooth® device

■ Using the STAGEPAS 1K mkII for pairing

1. **Press and hold down the  (Bluetooth) switch for one second.**

The  (Bluetooth) LED will flash slowly, indicating that the unit is searching for a registered Bluetooth device.

2. **Turn on the Bluetooth function on the Bluetooth device that you want to connect.**

When the connection is made automatically, the  (Bluetooth) LED will light up.

■ Using the Bluetooth device for pairing

Even if the unit is in Bluetooth standby mode, you can still connect your Bluetooth device by following the procedure below on the device.

1. **Turn on the Bluetooth function on the Bluetooth device that you want to connect.**

2. **Select STAGEPAS 1K mkII AUDIO from the list of Bluetooth devices displayed on your Bluetooth device.**

Playing audio files stored in a Bluetooth® device

You can use the STAGEPAS 1K mkII to listen to an audio file playing on your Bluetooth device.

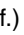

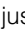
Signals from the Bluetooth device are input to the ST channel.

We recommend that you set the volume on the Bluetooth device a little higher than normal, and then adjust the volume for each channel using the ST [LEVEL] control.


If you receive a call or text message while playing audio files on your Bluetooth device such as a smartphone, audio file playback might be paused momentarily. To avoid this interruption, enable Airplane Mode, and then set Bluetooth to ON on your Bluetooth device.

Disconnecting the Bluetooth® device

To disconnect the Bluetooth device, do one of the following:

- Use the Bluetooth device to disconnect. (The  (Bluetooth) LED will turn off.)
- Press the  (Bluetooth) switch on the unit to engage Bluetooth standby mode. (The  (Bluetooth) LED will turn off.)

Notice

Before you turn off the power to the unit, make sure that the Bluetooth function is turned off. (Make sure that the  (Bluetooth) LED is turned off.) If you turn off the power to the unit while the Bluetooth function remains enabled, the unit might lose the pairing information.

Controlling the Unit from STAGEPAS Controller

You can control the parameters and view the meters and clipping information of this product from your Bluetooth-enabled device, such as a smartphone or tablet.

For more information on how to use STAGEPAS Controller, please refer to the “STAGEPAS Controller User Guide.”

Connecting STAGEPAS Controller

To control the unit in this way, you first need to connect a device on which STAGEPAS Controller has been installed. Alternatively, you can control the unit from a device that is different than the one connected for Bluetooth Audio.

1. **Start STAGEPAS Controller.**
2. **When the DEVICE LIST screen appears, tap the name of the STAGEPAS that you want to control.**

The name of the target STAGEPAS will be highlighted.

NOTE

If you do not see the desired device on the list, press the refresh button to search for the device again.

3. **Tap “Connect.”**

Press the Bluetooth button on this product only if this is the first time you connect it to STAGEPAS Controller.

You also need to set up the initial PIN. (This process is required for connection.)

NOTE

When you reconnect your Bluetooth device, you do not need to follow steps 2 and 3 above.

Disconnecting STAGEPAS Controller

1. **Display the DEVICE LIST screen on STAGEPAS Controller.**

The name of the target STAGEPAS will be highlighted.

2. **Tap “Disconnect.”**

The mixer parameters will maintain the values specified via STAGEPAS Controller.

Maintaining the STAGEPAS Controller settings

1. **To maintain the values specified via STAGEPAS Controller, set Last Memory Resume to ON.**

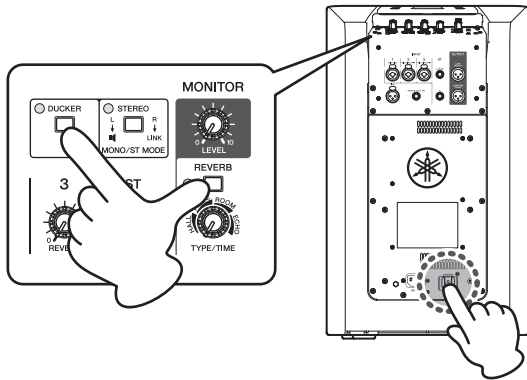
ON: If the power to the unit is turned off and then back on, the unit will maintain the previous settings. However, the parameter values will not match the position of the controllers on the panel.

OFF: If the power to the unit is turned off and then back on, the settings will be initialized. The parameter values will match the position of the controllers on the panel.

Initializing the STAGEPAS 1K mkII

If you want to reset the parameters that were programmed from STAGEPAS Controller, or reset the Bluetooth pairing (registering) information to the factory default settings, follow the steps below:

1. Turn the power switch off.
2. While pressing and holding down the [DUCKER] switch and [REVERB] switch simultaneously, turn on the I/O (Power) switch on the rear panel.



While the unit is being initialized, the [POWER] LED, [DUCKER] LED, and  (Bluetooth) LED will flash.

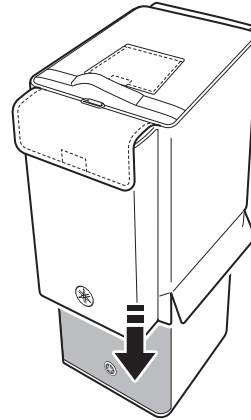
3. When the initialization is complete, the unit automatically restarts.
After the initialization process, the parameter values will change as follows:

Parameter	Value
REVERB	Knob position
EQ	
REVERB TYPE/TIME	
MODE	
MONITOR LEVEL	
MAIN LEVEL	
REVERB ON/OFF	Default (OFF)
MONO/ST MODE	Default (MONO)
BLUETOOTH CONTROL MODE	Default (OFF)
Bluetooth audio pairing (registration) information	All cleared
DUCKER ON	Default (OFF)
DUCKER*	Default
CHANNEL LEVEL*	Default (0 dB)
PAN*	Default (CENTER)
REVERB LEVEL*	Default (89(-3 dB))
BT NOISE GATE*	Default (normal)
DEVICE NAME*	Default (STAGEPAS 1K mkII)
SCENE*	Values for PRESET #1-8 are cleared.
PASSCODE*	Disabled

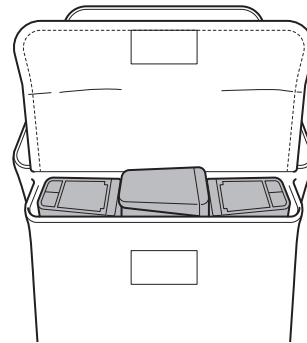
* Parameters that can be controlled only from STAGEPAS Controller

Storing the Unit

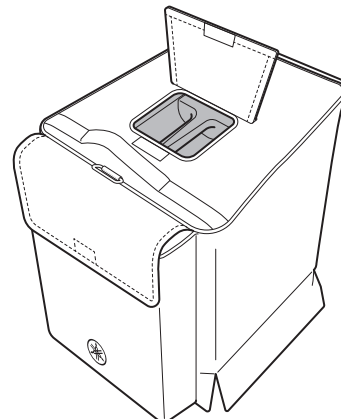
1. Install the included, dedicated cover over the STAGEPAS 1K mkII.



2. Put the line array speaker and spacers into the pocket that is marked with the Yamaha logo.



To move the unit, open the flap on top of the cover and hold the handle on the unit.



NOTE

For information regarding the DL-SP1K, an optional dolly designed for use with the unit, please refer to the DL-SP1K Owner's Manual.

Troubleshooting

Power does not turn on.

- Did you firmly and securely connect the power cord?

Power shuts down suddenly.

- Are the vents of the unit blocked?
Since inadequate ventilation can result in overheating the mixer, the power may be turned off automatically to protect the system from overheating. Arrange the ventilation for better cooling, then turn on the power again.

No sound is heard.

- Did you insert the line array speaker and spacers firmly into the sockets?
If the speaker is not inserted into the spacers or socket firmly, the connectors will not make sufficient contact and no sound will be output.
- Is the [PROTECT] LED lit?
If the internal power amplifier section is overloaded, the amplifier will be muted to protect its circuits. The mixer will automatically reset itself after a while.
- Initialize the settings for this product.

Sound is distorted or noise is produced

- Are the [LEVEL] controls of any relevant channels and/or the [MAIN LEVEL] control set too high?
- Is the [MIC/LINE] switch of the corresponding channel set to MIC?
If the input level from the source is high, setting the [MIC/LINE] switch to MIC may result in a distorted sound. Set the switch to LINE.
- Is the volume of the connected device too high?
Lower the volume of the external device.

Sound is not loud enough

- Are the [LEVEL] controls of all relevant channels and/or the [MAIN LEVEL] control set too low?
- Is the [MIC/LINE] switch of the corresponding channel set to LINE?
Turn the [LEVEL] control to the minimum (zero). Set the switch to MIC, then slowly raise the [LEVEL] control.
- Is the volume of the connected device too low?
Raise the volume of the external device.
- Some settings can be controlled only from STAGEPAS Controller.
If that is the case, use STAGEPAS Controller.
- Initialize the settings for this product.

The high-range sounds and low-range sounds are unbalanced.

- Are the [EQ] controls raised or lowered too much?
Set the [EQ] controls to the center position.
- Is the speaker properly outputting high-frequency range signals?
If not, make sure that the line array speaker is firmly inserted into the socket.

Cannot connect Bluetooth

- The unit may be connected to a different Bluetooth device.
Cut the current Bluetooth connection, and then connect to the desired Bluetooth device.
You can use one Bluetooth devices to control the STAGEPAS 1K mkII, and a second Bluetooth device to play Bluetooth audio remotely.
- Your Bluetooth device may not support the A2DP profile.
Use a Bluetooth device that supports A2DP.

Bluetooth audio sound cuts intermittently

- The unit may be located in the vicinity of a device that emits electro-magnetic waves at a frequency of 2.4GHz (such as a wireless microphone transmitter, wireless LAN device, microwave oven, etc.).
Locate the STAGEPAS 1K mkII away from any device that emits electro-magnetic waves.
If your Bluetooth device also features a wireless LAN function, turn off the function, and use only the Bluetooth function.

If a problem persists, please contact your Yamaha dealer.

General Specifications

■ Main specifications

System Type	Powered subwoofer with a line array speaker
Frequency Response (-10 dB)	37 Hz - 20 kHz
Coverage Angle (Horizontal x Vertical)	170° x 30°
Crossover Frequency	240 Hz
Maximum Output Level (Measured peak, IEC noise@1 m)	125 dB SPL
Power Requirements	110-120 V 60 Hz, 220-240 V 50/60 Hz
Power Consumption	25 W (idle), 91 W (1/8 power)
Dimensions (W x H x D)	System (maximum) 334 x 2,000 x 418 mm
Weight	23.0 kg

■ Mixer section

The number of Mixing Channels	5
Analog Inputs	Mono mic/line x 3, mono line x 2, stereo line x 1 LINK IN (MONO)
Bluetooth Audio Inputs	A2DP (SBC, AAC)
Content Protection Method	SCMS-T
Bluetooth Version	Ver 5.0
Transmission Frequencies	2,402 - 2,480 MHz
Wireless Output	Class 1
Maximum Wireless Output Power (EIRP)	15 dBm (32 mW)
Channel Functions	Hi-Z switch: CH2/3
EQ/Effects	1-knob EQ: CH/1/2/3/ST MODE (SPEECH/MUSIC/CLUB) 4 types of reverb (HALL/PLATE/ROOM/ECHO): CH/1/2/3
Outputs	LINK OUT (MONO/R) MONITOR OUT (MONO)
External Controls	Reverb foot switch STAGEPAS Controller (iOS/Android app)

■ Amplifier section

Rated Output	Dynamic	1,100 W (Subwoofer: 500 W, Line array speaker: 600 W)
---------------------	---------	---

■ Speaker section

Enclosure	Line array speaker : Enclosed Subwoofer : Bass-reflex type
Speaker Unit	Line array speaker : 1.5" (3.8 cm) Cone x 10 Subwoofer : 12" (30 cm) Cone
Dimensions (W x H x D)	Line array speaker : 67 x 582 x 86 mm Spacer (each) : 67 x 555 x 86 mm Subwoofer : 334 x 550 x 418 mm
Weight:	Line array speaker : 1.8 kg Spacer (each) : 0.6 kg Subwoofer : 20.0 kg

■ Accessories

Included in the package	Power cord x 1, Dedicated cover x 1, Owner's Manual
Optional accessories	DL-SP1K (dedicated dolly)

Input Characteristics

Input Terminals	Connector Type		Hi-Z SW	MIC/LINE SW	Input Impedance	Source Impedance	Input Level ^{*1}			
							Sensitivity ^{*2}	Nominal ^{*3}	Max. before Clipping	
CH IN1	XLR Combo	XLR	–	MIC	3 kΩ (Balance)	150 Ω Mics/Lines	–50 dBu	–36 dBu	–10 dBu	
			–	LINE			–24 dBu	–10 dBu	+16 dBu	
		Phone	–	MIC	10 kΩ (Balance)	150 Ω Mics/Lines	–44 dBu	–30 dBu	–4 dBu	
			–	LINE			–18 dBu	–4 dBu	+22 dBu	
CH IN2-3	XLR Combo	XLR	–	MIC	3 kΩ (Balance)	150 Ω Mics/Lines	–50 dBu	–36 dBu	–10 dBu	
			–	LINE			–24 dBu	–10 dBu	+16 dBu	
		Phone	OFF	–	MIC	10 kΩ (Balance)	150 Ω Mics/Lines	–44 dBu	–30 dBu	–4 dBu
				–	LINE			–18 dBu	–4 dBu	+22 dBu
			ON	–	MIC	1 MΩ (Unbalance)	10 kΩ Lines	–44 dBu	–30 dBu	–4 dBu
				–	LINE			–18 dBu	–4 dBu	+22 dBu
ST IN	Phone (TS) ^{*4}		–	–	10 kΩ (Unbalance)	150 Ω Lines	–18 dBu	–4 dBu	+22 dBu	
	STEREO mini		–	–	10 kΩ (Unbalance)	150 Ω Lines	–18 dBu	–4 dBu	+22 dBu	
LINK IN	XLR-3-31		–	–	20 kΩ (Balance)	150 Ω Lines	+10 dBu	–	+24 dBu	

*1. 0 dBu= 0.775 Vrms

*2. INPUT VOLUME= MAX

*3. INPUT VOLUME= Nominal (Center position)

*4. Phone: Unbalanced

Output Characteristics

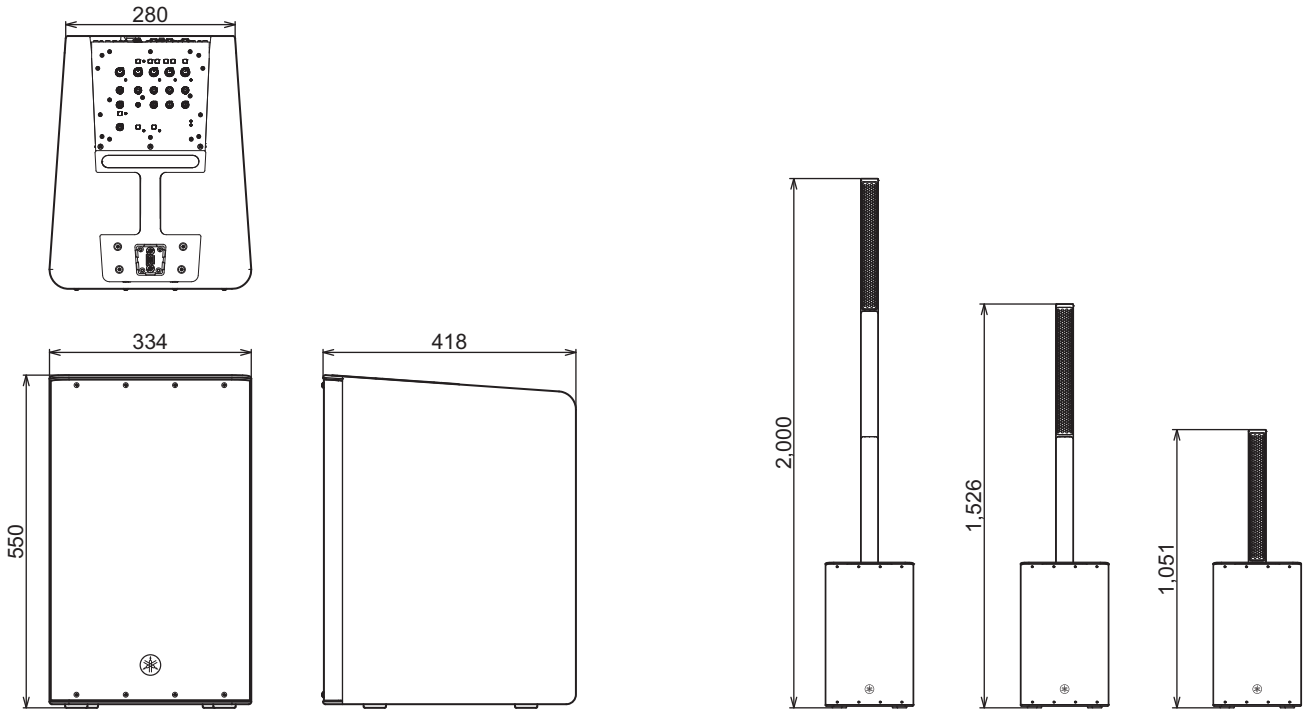
Output Terminals	Connector Type	Output Impedance	Load Impedance	Output Level ^{*1}	
				Nominal	Max. before Clipping
LINK OUT [MONO/R]	XLR-3-31	75 Ω	10 kΩ	+10 dBu	+24 dBu
MONITOR OUT [MONO]	XLR-3-31	75 Ω	3 kΩ	+10 dBu	+24 dBu

*1. 0 dBu=0.775 Vrms

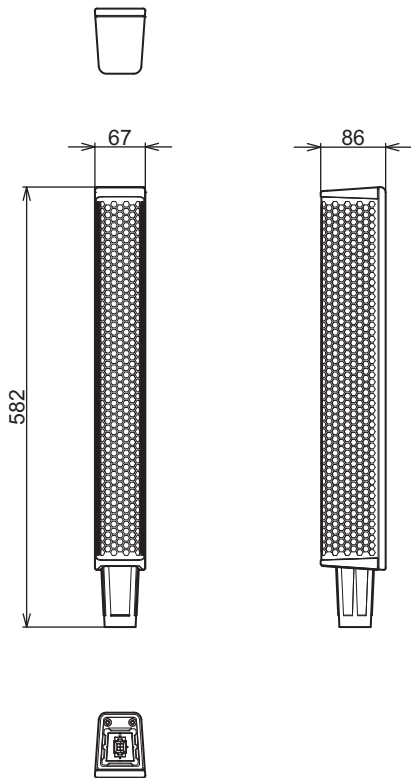
* The contents of this manual apply to the latest specifications as of the publishing date. To obtain the latest manual, access the Yamaha website then download the manual file.

Dimensions

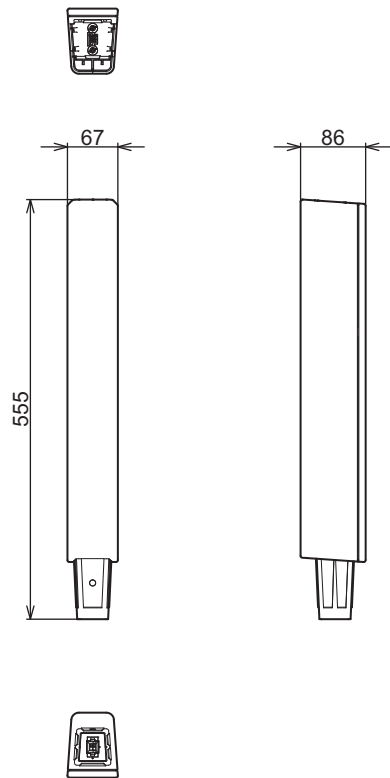
■ Subwoofer



■ Line array speaker

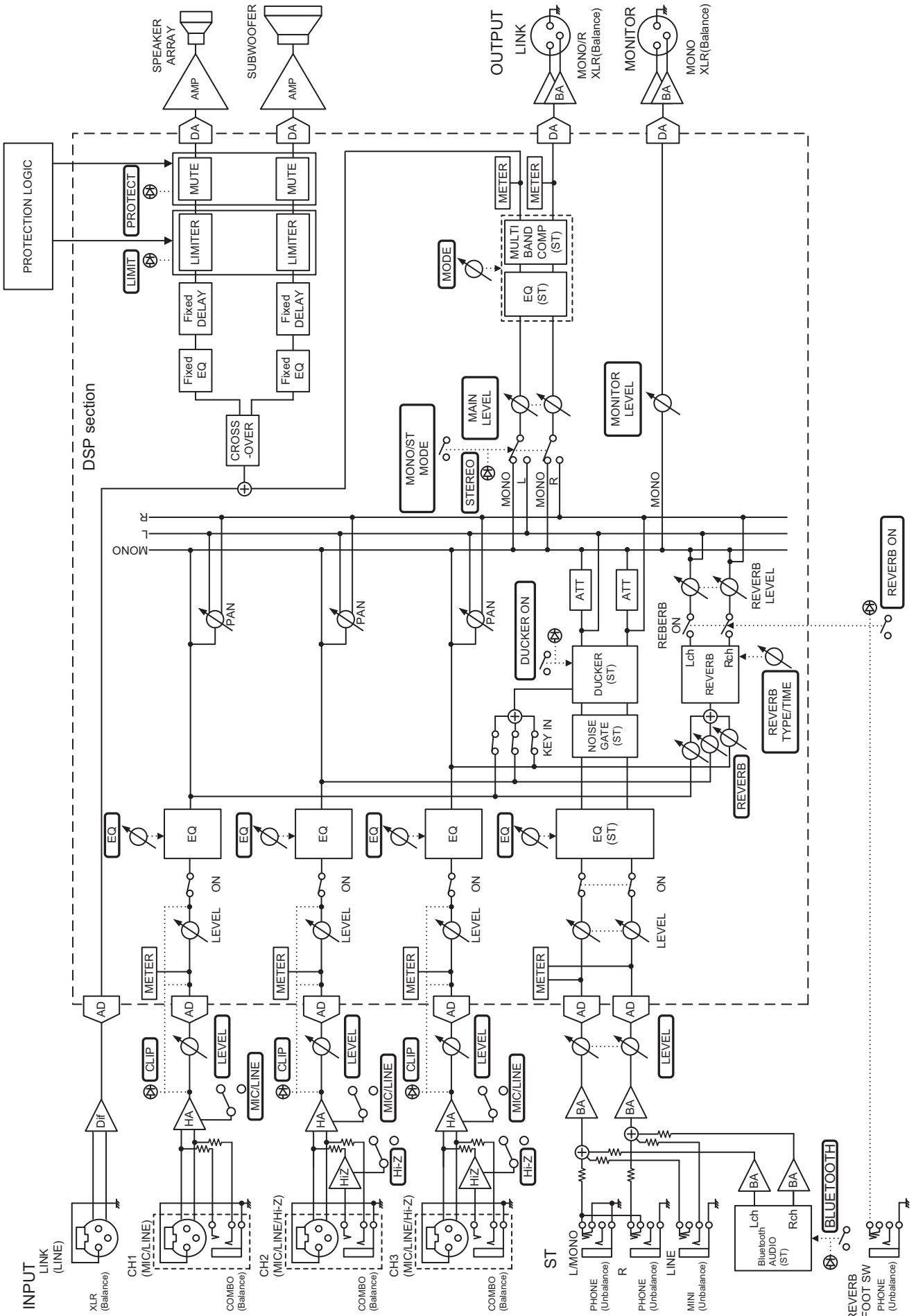


■ Spacer



Unit: mm

Block Diagram



English

MEMO

This transmitter must not be co-located or operated in conjunction with any other antenna or transmitter.

This device contains licence-exempt transmitter(s)/receiver(s) that comply with Innovation, Science and Economic Development Canada's licence-exempt RSS(s). Operation is subject to the following two conditions:

1. This device may not cause interference.
2. This device must accept any interference, including interference that may cause undesired operation of the device.

L'émetteur/récepteur exempt de licence contenu dans le présent appareil est conforme aux CNR d'Innovation, Sciences et Développement économique Canada applicables aux appareils radio exempts de licence. L'exploitation est autorisée aux deux conditions suivantes :

1. L'appareil ne doit pas produire de brouillage;
2. L'appareil doit accepter tout brouillage radioélectrique subi, même si le brouillage est susceptible d'en compromettre le fonctionnement.

This equipment complies with FCC radiation exposure limits set forth for an uncontrolled environment and meets the FCC radio frequency (RF) Exposure Guidelines. This equipment should be installed and operated keeping the radiator at least 20 cm or more away from person's body.

This equipment complies with ISED radiation exposure limits set forth for an uncontrolled environment and meets RSS-102 of the ISED radio frequency (RF) Exposure rules. This equipment should be installed and operated keeping the radiator at least 20 cm or more away from person's body.

Cet équipement est conforme aux limites d'exposition aux rayonnements énoncées pour un environnement non contrôlé et respecte les règles d'exposition aux fréquences radioélectriques (RF) CNR-102 de l'ISDE. Cet équipement doit être installé et utilisé en gardant une distance de 20 cm ou plus entre le radiateur et le corps humain.

取得審驗證明之低功率射頻器材，非經核准，公司、商號或使用者均不得擅自變更頻率、加大功率或變更原設計之特性及功能。

低功率射頻器材之使用不得影響飛航安全及干擾合法通信；經發現有干擾現象時，應立即停用，並改善至無干擾時方得繼續使用。

前述合法通信，指依電信管理法規定作業之無線電通信。

低功率射頻器材須忍受合法通信或工業、科學及醫療用電波輻射性電機設備之干擾。

(543-M01 TW RA10 02)

EN	SIMPLIFIED EU DECLARATION OF CONFORMITY / SIMPLIFIED UK DECLARATION OF CONFORMITY
<p>Hereby, Yamaha Music Europe GmbH declares that the radio equipment type STAGEPAS 1K mkII is in compliance with Directive 2014/53/EU and the radio equipment regulations of UK. The full texts of the EU declaration of conformity and the UK declaration of conformity are available at the following internet address: https://europe.yamaha.com/en/support/compliance/doc.html</p>	
FR	DECLARATION UE DE CONFORMITE SIMPLIFIEE
<p>Le soussigné, Yamaha Music Europe GmbH, déclare que l'équipement radioélectrique du type STAGEPAS 1K mkII est conforme à la directive 2014/53/UE. Le texte complet de la déclaration UE de conformité est disponible à l'adresse internet suivante: https://europe.yamaha.com/en/support/compliance/doc.html</p>	
DE	VEREINFACHTE EU-KONFORMITÄTSEKTLÄRUNG
<p>Hiermit erklärt Yamaha Music Europe GmbH, dass der Funkanlagentyp STAGEPAS 1K mkII der Richtlinie 2014/53/EU entspricht. Der vollständige Text der EU-Konformitätserklärung ist unter der folgenden Internetadresse verfügbar: https://europe.yamaha.com/en/support/compliance/doc.html</p>	
SV	FÖRENKLAD EU-FÖRSÄKRAN OM ÖVERENSSTÄMMELSE
<p>Härmed försäkrar Yamaha Music Europe GmbH att denna typ av radioutrustning STAGEPAS 1K mkII överensstämmer med direktiv 2014/53/EU. Den fullständiga texten till EU-försäkrans om överensstämmelse finns på följande webbadress: https://europe.yamaha.com/en/support/compliance/doc.html</p>	
IT	DICHIARAZIONE DI CONFORMITÀ UE SEMPLIFICATA
<p>Il fabbricante, Yamaha Music Europe GmbH, dichiara che il tipo di apparecchiatura radio STAGEPAS 1K mkII è conforme alla direttiva 2014/53/UE. Il testo completo della dichiarazione di conformità UE è disponibile al seguente indirizzo Internet: https://europe.yamaha.com/en/support/compliance/doc.html</p>	
ES	DECLARACIÓN UE DE CONFORMIDAD SIMPLIFICADA
<p>Por la presente, Yamaha Music Europe GmbH declara que el tipo de equipo radioeléctrico STAGEPAS 1K mkII es conforme con la Directiva 2014/53/UE. El texto completo de la declaración UE de conformidad está disponible en la dirección Internet siguiente: https://europe.yamaha.com/en/support/compliance/doc.html</p>	
PT	DECLARAÇÃO UE DE CONFORMIDADE SIMPLIFICADA
<p>O(a) abaixo assinado(a) Yamaha Music Europe GmbH declara que o presente tipo de equipamento de rádio STAGEPAS 1K mkII está em conformidade com a Diretiva 2014/53/UE. O texto integral da declaração de conformidade está disponível no seguinte endereço de Internet: https://europe.yamaha.com/en/support/compliance/doc.html</p>	
NL	VEREENVOUDIGDE EU-CONFORMITEITSVERKLARING
<p>Hierbij verklaar ik, Yamaha Music Europe GmbH, dat het type radioapparaat STAGEPAS 1K mkII conform is met Richtlijn 2014/53/EU. De volledige tekst van de EU-conformiteitsverklaring kan worden geraadpleegd op het volgende internetadres: https://europe.yamaha.com/en/support/compliance/doc.html</p>	
BG	ОПРОСТЕНА ЕС ДЕКЛАРАЦИЯ ЗА СЪОТВЕТСТВИЕ
<p>С настоящото Yamaha Music Europe GmbH декларира, че този тип радиосъоръжение STAGEPAS 1K mkII е в съответствие с Директива 2014/53/ЕС. Цялостният текст на ЕС декларацията за съответствие може да се намери на следния интернет адрес: https://europe.yamaha.com/en/support/compliance/doc.html</p>	
CS	ZJEDNODUŠENÉ EU PROHLÁŠENÍ O SHODĚ
<p>Tímto Yamaha Music Europe GmbH prohlašuje, že typ rádiového zařízení STAGEPAS 1K mkII je v souladu se směrnicí 2014/53/EU. Úplné znění EU prohlášení o shodě je k dispozici na této internetové adrese: https://europe.yamaha.com/en/support/compliance/doc.html</p>	
DA	FORENKLET EU-OVERENSSTEMMELSESEKTLÆRING
<p>Hermed erklærer Yamaha Music Europe GmbH, at radioudstyrstypen STAGEPAS 1K mkII er i overensstemmelse med direktiv 2014/53/EU. EU-overensstemmelsesekstretens fulde tekst kan findes på følgende internetadresse: https://europe.yamaha.com/en/support/compliance/doc.html</p>	
ET	LIHTSUSTATUD ELI VASTAVUSDEKLARATSIOON
<p>Käesolevaga deklareerib Yamaha Music Europe GmbH, et käesolev raadioseadme tüüp STAGEPAS 1K mkII vastab direktiivi 2014/53/EL nõuetele. ELi vastavusdeklaratsiooni täielik tekst on kättesaadav järgmisel internetiaadressil: https://europe.yamaha.com/en/support/compliance/doc.html</p>	
EL	ΑΠΛΟΥΣΤΕΥΜΕΝΗ ΔΗΛΩΣΗ ΣΥΜΜΟΡΦΩΣΗΣ ΕΕ
<p>Με την παρούσα ο/η Yamaha Music Europe GmbH, δηλώνει ότι ο ραδιοεξοπλισμός STAGEPAS 1K mkII πληροί την οδηγία 2014/53/ΕΕ. Το πλήρες κείμενο της δήλωσης συμμόρφωσης ΕΕ διατίθεται στην ακόλουθη ιστοσελίδα στο διαδίκτυο: https://europe.yamaha.com/en/support/compliance/doc.html</p>	
HR	POJEDNOSTAVLJENA EU IZJAVA O SUKLADNOSTI
<p>Yamaha Music Europe GmbH ovime izjavljuje da je radijska oprema tipa STAGEPAS 1K mkII u skladu s Direktivom 2014/53/EU. Cjeloviti tekst EU izjave o sukladnosti dostupan je na sljedećoj internetskoj adresi: https://europe.yamaha.com/en/support/compliance/doc.html</p>	

LV	VIENKĀRŠOTA ES ATBILSTĪBAS DEKLARĀCIJA
Ar šo Yamaha Music Europe GmbH deklarē, ka radioiekārta STAGEPAS 1K mkII atbilst Direktīvai 2014/53/ES. Pilns ES atbilstības deklarācijas teksts ir pieejams šādā interneta vietnē: https://europe.yamaha.com/en/support/compliance/doc.html	
LT	SUPAPRASTINTA ES ATITIKTIES DEKLARACIJA
Aš, Yamaha Music Europe GmbH, patvirtinu, kad radiojūrengiņu tips STAGEPAS 1K mkII atitinka Direktīvu 2014/53/ES. Visas ES atitikties deklarācijas teksts pieejams šiuo interneto adresu: https://europe.yamaha.com/en/support/compliance/doc.html	
HU	EGYSZERŰSÍTETT EU-MEGFELELŐSÉGI NYILATKOZAT
Yamaha Music Europe GmbH igazolja, hogy a STAGEPAS 1K mkII típusú rádióberendezés megfelel a 2014/53/EU irányelvnek. Az EU-megfelelőségi nyilatkozat teljes szövege elérhető a következő internetes címen: https://europe.yamaha.com/en/support/compliance/doc.html	
PL	UPROSZCZONA DEKLARACJA ZGODNOŚCI UE
Yamaha Music Europe GmbH niniejszym oświadczam, że typ urządzenia radiowego STAGEPAS 1K mkII jest zgodny z dyrektywą 2014/53/UE. Pełny tekst deklaracji zgodności UE jest dostępny pod następującym adresem internetowym: https://europe.yamaha.com/en/support/compliance/doc.html	
RO	DECLARAȚIA UE DE CONFORMITATE SIMPLIFICATĂ
Prin prezenta, Yamaha Music Europe GmbH declară că tipul de echipamente radio STAGEPAS 1K mkII este în conformitate cu Directiva 2014/53/UE. Textul integral al declarației UE de conformitate este disponibil la următoarea adresă internet: https://europe.yamaha.com/en/support/compliance/doc.html	
SK	ZJEDNODUŠENÉ EÚ VYHLÁSENIE O ZHODE
Yamaha Music Europe GmbH týmto vyhlasuje, že rádiové zariadenie typu STAGEPAS 1K mkII je v súlade so smernicou 2014/53/EÚ. Úplné EÚ vyhlásenie o zhode je k dispozícii na tejto internetovej adrese: https://europe.yamaha.com/en/support/compliance/doc.html	
SL	POENOSTAVLJENA IZJAVA EU O SKLADNOSTI
Yamaha Music Europe GmbH potrjuje, da je tip radijske opreme STAGEPAS 1K mkII skladen z Direktivo 2014/53/EU. Celotno besedilo izjave EU o skladnosti je na voljo na naslednjem spletnem naslovu: https://europe.yamaha.com/en/support/compliance/doc.html	
FI	YKSINKERTAISTETTU EU-VAATIMUSTENMUKAISUUSVAKUUTUS
Yamaha Music Europe GmbH vakuuttaa, että radiolaitetyyppi STAGEPAS 1K mkII on direktiivin 2014/53/EU mukainen. EU-vaatimustenmukaisuusvakuutuksen täysimittainen teksti on saatavilla seuraavassa internetosoitteessa: https://europe.yamaha.com/en/support/compliance/doc.html	
TR	BASİTLEŞTİRİLMİŞ AVRUPA BİRLİĞİ UYGUNLUK BİLDİRİMİ
İşbu belge ile, Yamaha Music Europe GmbH, radyo cihaz tipinin STAGEPAS 1K mkII, Direktif 2014/53/AB'ye uygunluğunu beyan eder. AB uyumu beyanının tam metni aşağıdaki internet adresinden edinilebilir: https://europe.yamaha.com/en/support/compliance/doc.html	

Information for users on collection and disposal of old equipment:



This symbol on the products, packaging, and/or accompanying documents means that used electrical and electronic products should not be mixed with general household waste.
For proper treatment, recovery and recycling of old products, please take them to applicable collection points, in accordance with your national legislation.

By disposing of these products correctly, you will help to save valuable resources and prevent any potential negative effects on human health and the environment which could otherwise arise from inappropriate waste handling.

For more information about collection and recycling of old products, please contact your local municipality, your waste disposal service or the point of sale where you purchased the items.

For business users in the European Union:

If you wish to discard electrical and electronic equipment, please contact your dealer or supplier for further information.

Information on Disposal in other Countries outside the European Union:

This symbol is only valid in the European Union. If you wish to discard these items, please contact your local authorities or dealer and ask for the correct method of disposal.

(58-M02 WEEE en 01)

Informations concernant la collecte et le traitement des déchets d'équipements électriques et électroniques



Le symbole sur les produits, l'emballage et/ou les documents joints signifie que les produits électriques ou électroniques usagés ne doivent pas être mélangés avec les déchets domestiques habituels.

Pour un traitement, une récupération et un recyclage appropriés des déchets d'équipements électriques et électroniques, veuillez les déposer aux points de collecte prévus à cet effet, conformément à la réglementation nationale.



En vous débarrassant correctement des déchets d'équipements électriques et électroniques, vous contribuerez à la sauvegarde de précieuses ressources et à la prévention de potentiels effets négatifs sur la santé humaine qui pourraient advenir lors d'un traitement inapproprié des déchets.

Pour plus d'informations à propos de la collecte et du recyclage des déchets d'équipements électriques et électroniques, veuillez contacter votre municipalité, votre service de traitement des déchets ou le point de vente où vous avez acheté les produits.

Pour les professionnels dans l'Union européenne :

Si vous souhaitez vous débarrasser des déchets d'équipements électriques et électroniques, veuillez contacter votre vendeur ou fournisseur pour plus d'informations.

Informations sur la mise au rebut dans d'autres pays en dehors de l'Union européenne :

Ce symbole est seulement valable dans l'Union européenne. Si vous souhaitez vous débarrasser de déchets d'équipements électriques et électroniques, veuillez contacter les autorités locales ou votre fournisseur et demander la méthode de traitement appropriée.

(58-M02 WEEE fr 01)

Información para usuarios sobre la recogida y eliminación de los equipos antiguos



Este símbolo en los productos, embalajes y documentos anexos significa que los productos eléctricos y electrónicos no deben mezclarse con los desperdicios domésticos normales.

Para el tratamiento, recuperación y reciclaje apropiados de los productos antiguos, llévelos a puntos de reciclaje correspondientes, de acuerdo con la legislación nacional.



Al deshacerse de estos productos de forma correcta, ayudará a ahorrar recursos valiosos y a impedir los posibles efectos desfavorables en la salud humana y en el entorno que de otro modo se producirían si se trataran los desperdicios de modo inapropiado.

Para obtener más información acerca de la recogida y el reciclaje de los productos antiguos, póngase en contacto con las autoridades locales, con el servicio de eliminación de basuras o con el punto de venta donde adquirió los artículos.

Para los usuarios empresariales de la Unión Europea:

Si desea desechar equipos eléctricos y electrónicos, póngase en contacto con su vendedor o proveedor para obtener más información.

Información sobre la eliminación en otros países fuera de la Unión Europea:

Este símbolo solo es válido en la Unión Europea. Si desea desechar estos artículos, póngase en contacto con las autoridades locales o con el vendedor y pregúnteles el método correcto.

(58-M02 WEEE es 01)

Important Notice: Guarantee Information for customers in European Economic Area (EEA) and Switzerland

Important Notice: Guarantee Information for customers in EEA* and Switzerland For detailed guarantee information about this Yamaha product, and Pan-EEA* and Switzerland warranty service, please either visit the website address below (Printable file is available at our website) or contact the Yamaha representative office for your country. * EEA: European Economic Area	English
Wichtiger Hinweis: Garantie-Information für Kunden in der EWR* und der Schweiz Für nähere Garantie-Information über dieses Produkt von Yamaha, sowie über den Pan-EWR*- und Schweizer Garantieservice, besuchen Sie bitte entweder die folgend angegebene Internetadresse (eine druckfähige Version befindet sich auch auf unserer Webseite), oder wenden Sie sich an den für Ihr Land zuständigen Yamaha-Vertrieb. *EWR: Europäischer Wirtschaftsraum	Deutsch
Remarque importante: informations de garantie pour les clients de l'EEE et la Suisse Pour des informations plus détaillées sur la garantie de ce produit Yamaha et sur le service de garantie applicable dans l'ensemble de l'EEE ainsi qu'en Suisse, consultez notre site Web à l'adresse ci-dessous (le fichier imprimable est disponible sur notre site Web) ou contactez directement Yamaha dans votre pays de résidence. * EEE : Espace Economique Européen	Français
Belangrijke mededeling: Garantie-informatie voor klanten in de EER* en Zwitserland Voor gedetailleerde garantie-informatie over dit Yamaha-product en de garantieservice in heel de EER* en Zwitserland, gaat u naar de onderstaande website (u vindt een afdrukbaar bestand op onze website) of neemt u contact op met de vertegenwoordiging van Yamaha in uw land. * EER: Europese Economische Ruimte	Nederlands
Aviso importante: información sobre la garantía para los clientes del EEE* y Suiza Para una información detallada sobre este producto Yamaha y sobre el soporte de garantía en la zona EEE* y Suiza, visite la dirección web que se incluye más abajo (la versión del archivo para imprimir esta disponible en nuestro sitio web) o póngase en contacto con el representante de Yamaha en su país. * EEE: Espacio Económico Europeo	Español
Avviso importante: informazioni sulla garanzia per i clienti residenti nell'EEA* e in Svizzera Per informazioni dettagliate sulla garanzia relativa a questo prodotto Yamaha e l'assistenza in garanzia nei paesi EEA* e in Svizzera, potete consultare il sito Web all'indirizzo riportato di seguito (è disponibile il file in formato stampabile) oppure contattare l'ufficio di rappresentanza locale della Yamaha. * EEA: Area Economica Europea	Italiano
Aviso importante: informações sobre as garantias para clientes da AEE* e da Suíça Para obter uma informação pormenorizada sobre este produto da Yamaha e sobre o serviço de garantia na AEE* e na Suíça, visite o site a seguir (o arquivo para impressão está disponível no nosso site) ou entre em contato com o escritório de representação da Yamaha no seu país. * AEE: Área Económica Européia	Português
Σημαντική σημείωση: Πληροφορίες εγγύησης για τους πελάτες στον EOX* και Ελβετία Για λεπτομερείς πληροφορίες εγγύησης σχετικά με το παρόν προϊόν της Yamaha και την κάλυψη εγγύησης σε όλες τις χώρες του EOX και την Ελβετία, επισκεφτείτε την παρακάτω ιστοσελίδα (Εκτυπώσιμη μορφή είναι διαθέσιμη στην ιστοσελίδα μας) ή απευθυνθείτε στην αντιπροσωπεία της Yamaha στη χώρα σας. * EOX: Ευρωπαϊκός Οικονομικός Χώρος	Ελληνικά
Viktigt: Garantiinformation för kunder i EES-området* och Schweiz För detaljerad information om denna Yamahaprodukt samt garantiservice i hela EES-området* och Schweiz kan du antingen besöka nedanstående webbadress (en utskriftsvänlig fil finns på webbplatsen) eller kontakta Yamahas officiella representant i ditt land. * EES: Europeiska Ekonomiska Samarbetsområdet	Svenska
Viktig merknad: Garantiinformasjon for kunder i EØS* og Sveits Detaljert garantiinformasjon om dette Yamaha-produktet og garantiservice for hele EØS-området* og Sveits kan fås enten ved å besøke nettstedene nedenfor (utskriftsversjon finnes på våre nettsider) eller kontakte Yamahas kontoret i landet der du bor. *EØS: Det europeiske økonomiske samarbeidsområdet	Norsk
Vigtig oplysning: Garantioplysninger til kunder i EØO* og Schweiz De kan finde detaljerede garantioplysninger om dette Yamaha-produkt og den fælles garantiserviceordning for EØO* (og Schweiz) ved at besøge det websted, der er angivet nedenfor (der findes en fil, som kan udskrives, på vores websted), eller ved at kontakte Yamahas nationale repræsentationskontor i det land, hvor De bor. * EØO: Det Europæiske Økonomiske Område	Dansk
Tärkeä ilmoitus: Takuutiedot Euroopan talousalueen (ETA)* ja Sveitsin asiakkaille Tämän Yamaha-tuotteen sekä ETA-alueen ja Sveitsin takuuta koskevat yksityiskohtaiset tiedot saatte alla olevasta nettiosoitteesta. (Tulostettava tiedosto saatavissa sivustollamme.) Voitte myös ottaa yhteyttä paikalliseen Yamaha-edustajaan. *ETA: Euroopan talousalue	Suomi
Ważne: Warunki gwarancyjne obowiązujące w EOG* i Szwajcarii Aby dowiedzieć się więcej na temat warunków gwarancyjnych tego produktu firmy Yamaha i serwisu gwarancyjnego w całym EOG* i Szwajcarii, należy odwiedzić wskazaną poniżej stronę internetową (Plik gotowy do wydruku znajduje się na naszej stronie internetowej) lub skontaktować się z przedstawicielstwem firmy Yamaha w swoim kraju. * EOG — Europejski Obszar Gospodarczy	Polski
Důležité oznámení: Záruční informace pro zákazníky v EHS* a ve Švýcarsku Podrobné záruční informace o tomto produktu Yamaha a záručním servisu v celém EHS* a ve Švýcarsku naleznete na níže uvedené webové adrese (soubor k tisku je dostupný na našich webových stránkách) nebo se můžete obrátit na zástupce firmy Yamaha ve své zemi. * EHS: Evropský hospodářský prostor	Česky
Fontos figyelmztetés: Garancia-információk az EGT* területén és Svájcban élő vásárlók számára A jelen Yamaha termékre vonatkozó részletes garancia-információk, valamint az EGT*-re és Svájcra kiterjedő garanciális szolgáltatás tekintetében keresse fel webhelyünket az alábbi címen (a webhelyen nyomtatható fájl is található), vagy pedig lépjen kapcsolatba az országában működő Yamaha képviselői irodával. * EGT: Európai Gazdasági Térség	Magyar
Oluline märkus: Garantiiteave Euroopa Majanduspiirkonna (EMP)* ja Šveitsi klientidele Täpsemat teabe saamiseks selle Yamaha toote garantii ning kogu Euroopa Majanduspiirkonna ja Šveitsi garantiiteeninduse kohta, külastage palun veebisaiti alljärgneval aadressil (meie saidil on saadaval prinditav fail) või pöörduge Teie regiooni Yamaha esinduse poole. * EMP: Euroopa Majanduspiirkond	Eesti keel
Svarīgs paziņojums: garantijas informācija klientiem EEZ* un Šveicē Lai saņemtu detalizētu garantijas informāciju par šo Yamaha produktu, kā arī garantijas apkalpošanu EEZ* un Šveicē, lūdzu, apmeklējiet zemāk norādīto tīmekļa vietnes adresi (tīmekļa vietnē ir pieejams drukājams fails) vai sazinieties ar jūsu valsti apkalpojošo Yamaha pārstāvniecību. * EEZ: Eiropas Ekonomikas zona	Latviešu
Dėmesio: informacija dėl garantijos pirkėjams EEE* ir Šveicarijoje Jei reikia išsamios informacijos apie šį „Yamaha“ produktą ir jo techninę priežiūrą visoje EEE* ir Šveicarijoje, apsilankykite mūsų svetainėje toliau nurodytu adresu (svetainėje yra spausdintinas failas) arba kreipkitės į „Yamaha“ atstovybę savo šaliai. *EEE – Europos ekonominė erdvė	Lietuvių kalba
Dôležité upozornenie: Informácie o záruke pre zákazníkov v EHP* a Švajčiarsku Podrobné informácie o záruke týkajúce sa tohto produktu od spoločnosti Yamaha a garančnom servise v EHP* a Švajčiarsku nájdete na webovej stránke uvedenej nižšie (na našej webovej stránke je k dispozícii súbor na tlač) alebo sa obráťte na zástupcu spoločnosti Yamaha vo svojej krajine. * EHP: Európsky hospodársky priestor	Slovenčina
Pomembno obvestilo: Informacije o garanciji za kupce v EGP* in Švici Za podrobnejše informacije o tem Yamahinem izdelku ter garancijskem servisu v celotnem EGP in Švici, obiščite spletno mesto, ki je navedeno spodaj (natisljiva datoteka je na voljo na našem spletnem mestu), ali se obrnite na Yamahinega predstavnika v svoji državi. * EGP: Evropski gospodarski prostor	Slovenščina
Важно съобщение: Информация за гаранцията за клиенти в ЕИП* и Швейцария За подробна информация за гаранцията за този продукт на Yamaha и гаранционното обслужване в паневропейската зона на ЕИП* и Швейцария или посетете посочения по-долу уеб сайт (на нашия уеб сайт има файл за печат), или се свържете с представителния офис на Yamaha във вашата страна. * ЕИП: Европейско икономическо пространство	Български език
Notificare importantă: Informații despre garanție pentru clienții din SEE* și Elveția Pentru informații detaliate privind acest produs Yamaha și serviciul de garanție Pan-SEE* și Elveția, vizitați site-ul la adresa de mai jos (fișierul imprimabil este disponibil pe site-ul nostru) sau contactați biroul reprezentanței Yamaha din țara dumneavoastră. * SEE: Spațiul Economic European	Limba română
Važna obavijest: Informacije o jamstvu za države EGP-a i Švicarske Za detaljne informacije o jamstvu za ovaj Yamahin proizvod te jamstvenom servisu za cijeli EGP i Švicarsku, molimo Vas da posjetite web-stranicu navedenu u nastavku ili kontaktirate ovlaštenog Yamahinog dobavljača u svojoj zemlji. * EGP: Evropski gospodarski prostor	Hrvatski

<https://europe.yamaha.com/warranty/>

ADDRESS LIST

NORTH AMERICA

CANADA

Yamaha Canada Music Ltd.
135 Milner Avenue, Toronto, Ontario,
M1S 3R1, Canada
Tel: +1-416-298-1311

U.S.A.

Yamaha Corporation of America
6600 Orangethorpe Avenue, Buena Park, CA 90620,
U.S.A.
Tel: +1-714-522-9011

CENTRAL & SOUTH AMERICA

MEXICO

Yamaha de México, S.A. de C.V.
Av. Insurgentes Sur 1647 Piso 9, Col. San José
Insurgentes, Delegación Benito Juárez, CDMX,
C.P. 03900, México
Tel: +52-55-5804-0600

BRAZIL

Yamaha Musical do Brasil Ltda.
Praça Professor José Lannes, 40, Cjs 21 e 22, Brooklin
Paulista Novo CEP 04571-100 – São Paulo – SP,
Brazil
Tel: +55-11-3704-1377

ARGENTINA

**Yamaha Music Latin America, S.A.,
Sucursal Argentina**
Olga Cossettini 1553, Piso 4 Norte,
Madero Este-C1107CEK,
Buenos Aires, Argentina
Tel: +54-11-4119-7000

PANAMA AND OTHER LATIN

AMERICAN/CARIBBEAN REGIONS

Yamaha Music Latin America, S.A.
Edif. Torre Banco General, Piso 7, Urbanización
Marbella, Calle 47 y Aquilino de la Guardia,
Ciudad de Panamá, República de Panamá
Tel: +507-269-5311

EUROPE

THE UNITED KINGDOM/IRELAND

Yamaha Music Europe GmbH (UK)
Sherbourne Drive, Tilbrook, Milton Keynes,
MK7 8BL, U.K.
Tel: +44-1908-366700

GERMANY

Yamaha Music Europe GmbH
Siemensstrasse 22-34, 25462 Rellingen, Germany
Tel: +49-4101-303-0

SWITZERLAND/LIECHTENSTEIN

**Yamaha Music Europe GmbH, Branch
Switzerland in Thalwil**
Seestrasse 18a, 8800 Thalwil, Switzerland
Tel: +41-44-3878080

AUSTRIA/BULGARIA/ CZECH REPUBLIC/HUNGARY/ ROMANIA/SLOVAKIA/SLOVENIA

**Yamaha Music Europe GmbH
Branch Austria**
Schleiergasse 20, 1100 Wien, Austria
Tel: +43-1-60203900

POLAND

Yamaha Music Europe GmbH
Sp.z o.o. Oddział w Polsce
ul. Wielicka 52, 02-657 Warszawa, Poland
Tel: +48-22-880-08-88

MALTA

Olimpus Music Ltd.
Valletta Road, Mosta MST9010, Malta
Tel: +356-2133-2093

NETHERLANDS/BELGIUM/ LUXEMBOURG

Yamaha Music Europe Branch Benelux
Clarissenhof 5b, 4133 AB Vianen, The Netherlands
Tel: +31-347-358040

FRANCE

Yamaha Music Europe
7 rue Ambroise Croizat, Zone d'activités de Pariest,
77183 Croissy-Beaubourg, France
Tel: +33-1-6461-4000

ITALY

Yamaha Music Europe GmbH, Branch Italy
Via Tinelli N.67/69 20855 Gerno di Lesmo (MB),
Italy
Tel: +39-039-9065-1

SPAIN/PORTUGAL

**Yamaha Music Europe GmbH Ibérica, Sucursal
en España**
Ctra. de la Coruña km. 17,200, 28231
Las Rozas de Madrid, Spain
Tel: +34-91-639-88-88

GREECE

Philippos Nakas S.A. The Music House
19th klm. Leof. Lavriou 190 02 Peania – Attiki,
Greece
Tel: +30-210-6686168

SWEDEN/FINLAND/ICELAND

**Yamaha Music Europe GmbH Germany filial
Scandinavia**
JA Wettergrensgata 1, 400 43 Göteborg, Sweden
Tel: +46-31-89-34-00

DENMARK

**Yamaha Music Denmark,
Fillial of Yamaha Music Europe GmbH, Tyskland**
Generatorvej 8C, ST. TH. , 2860 Søborg, Denmark
Tel: +45-44-92-49-00

NORWAY

**Yamaha Music Europe GmbH Germany -
Norwegian Branch**
Grini Næringspark 1, 1332 Østerås, Norway
Tel: +47-6716-7800

CYPRUS

Yamaha Music Europe GmbH
Siemensstrasse 22-34, 25462 Rellingen, Germany
Tel: +49-4101-303-0

RUSSIA

Yamaha Music (Russia) LLC.
Room 37, entrance 7, bld. 7, Kievskaya street,
Moscow, 121059, Russia
Tel: +7-495-626-5005

OTHER EUROPEAN REGIONS

Yamaha Music Europe GmbH
Siemensstrasse 22-34, 25462 Rellingen, Germany
Tel: +49-4101-3030

AFRICA

Yamaha Music Gulf FZE
JAFZA-16, Office 512, P.O.Box 17328,
Jebel Ali FZE, Dubai, UAE
Tel: +971-4-801-1500

MIDDLE EAST

TURKEY

Yamaha Music Europe GmbH
Merkezi Almanya Türkiye İstanbul Şubesi
Mor Sumbul Sokak Varyap Meridian Business
1.Blok No:1 113-114-115
Bati Atasehir Istanbul, Turkey
Tel: +90-216-275-7960

OTHER REGIONS

Yamaha Music Gulf FZE
JAFZA-16, Office 512, P.O.Box 17328,
Jebel Ali FZE, Dubai, UAE
Tel: +971-4-801-1500

ASIA

THE PEOPLE'S REPUBLIC OF CHINA

Yamaha Music & Electronics (China) Co.,Ltd.
2F, Yunhedasha, 1818 Xinzha-lu, Jingan-qu,
Shanghai, China
Tel: +86-400-051-7700

INDIA

Yamaha Music India Private Limited
P-401, JMD Megapolis, Sector-48, Sohna Road,
Gurugram-122018, Haryana, India
Tel: +91-124-485-3300

INDONESIA

PT Yamaha Musik Indonesia Distributor
Yamaha Music Center Bldg. Jalan Jend. Gatot
Subroto Kav. 4, Jakarta 12930, Indonesia
Tel: +62-21-520-2577

KOREA

Yamaha Music Korea Ltd.
11F, Prudential Tower, 298, Gangnam-daero,
Gangnam-gu, Seoul, 06253, Korea
Tel: +82-2-3467-3300

MALAYSIA

Yamaha Music (Malaysia) Sdn. Bhd.
No.8, Jalan Perbandaran, Kelana Jaya, 47301
Petaling Jaya, Selangor, Malaysia
Tel: +60-3-78030900

SINGAPORE

Yamaha Music (Asia) Private Limited
Block 202 Hougang Street 21, #02-00,
Singapore 530202, Singapore
Tel: +65-6740-9200

TAIWAN

Yamaha Music & Electronics Taiwan Co.,Ltd.
2F., No.1, Yuandong Rd., Banqiao Dist.,
New Taipei City 22063, Taiwan (R.O.C.)
Tel: +886-2-7741-8888

THAILAND

Siam Music Yamaha Co., Ltd.
3, 4, 15, 16th Fl., Siam Motors Building,
891/1 Rama 1 Road, Wangmai,
Pathumwan, Bangkok 10330, Thailand
Tel: +66-2215-2622

VIETNAM

Yamaha Music Vietnam Company Limited
15th Floor, Nam A Bank Tower, 201-203 Cach
Mang Thang Tam St., Ward 4, Dist.3,
Ho Chi Minh City, Vietnam
Tel: +84-8-3818-1122

OTHER ASIAN REGIONS

<http://asia.yamaha.com/>

OCEANIA

AUSTRALIA

Yamaha Music Australia Pty. Ltd.
Level 1, 80 Market Street, South Melbourne,
VIC 3205, Australia
Tel: +61-3-9693-5111

REGIONS AND TRUST TERRITORIES IN PACIFIC OCEAN

<http://asia.yamaha.com/>

Head Office/Manufacturer: Yamaha Corporation 10-1, Nakazawa-cho, Naka-ku, Hamamatsu, 430-8650, Japan

Importer (European Union): Yamaha Music Europe GmbH Siemensstrasse 22-34, 25462 Rellingen, Germany

Importer (United Kingdom): Yamaha Music Europe GmbH (UK) Sherbourne Drive, Tilbrook, Milton Keynes, MK7 8BL, United Kingdom

PA57

Yamaha Pro Audio global website
<https://www.yamahaproaudio.com/>
Yamaha Downloads
<https://download.yamaha.com/>

Manual Development Group
© 2022 Yamaha Corporation
Published 05/2022
IPEI-AO

VFA7040